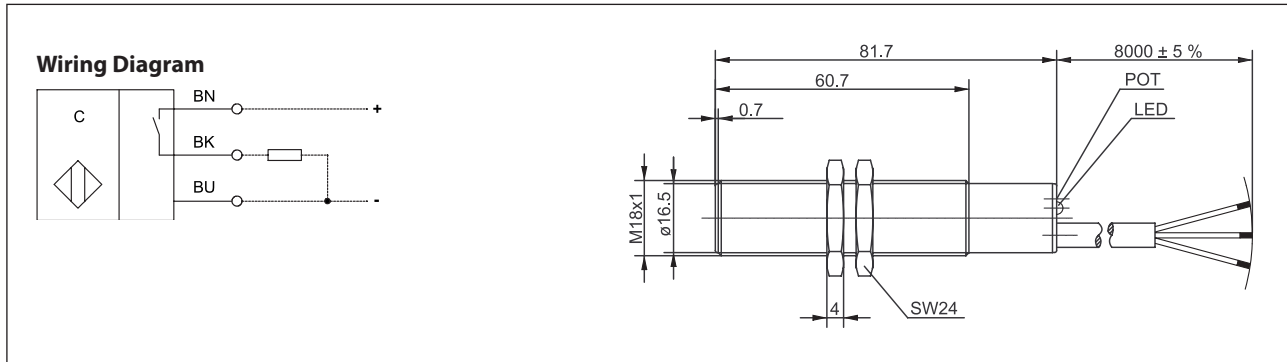


## Capacitive Proximity Switch Series M18

Description **KCB-M18PS/005-KL8P**

Article number **6607905965**



### Identifying characteristics in accordance with EN 60947-5-2

Electrical data		
Rated operating distance	$S_n$	5 mm
Mounting		flush
Standard target		30 x 30 x 1 mm; material: steel; connected to earth
Effective operating distance	$S_r$	≈ 1 - 5 mm; $S_r$ adjustable with potentiometer (POT); turn right Δ high sensitivity, turn left Δ low sensitivity
Assured operating distance	$S_a$	$0 \leq S_a \leq 0,8 \cdot S_r$
Switching element function		N.O.
Repeat accuracy	R	≤ 0,1· $S_r$
Differential travel (hysteresis)	H	≤ 0,2· $S_r$
Frequency of operating cycles	f	≈ 25 Hz
Rate doperational voltage	$U_e$	12 V - 48 V DC
Operational voltage range	$U_B$	10 V - 60 V DC
Rated insulation voltage	$U_i$	75 V DC
Rated impulse withstand voltage	$U_{imp}$	500 V
Voltage drop	$U_d$	≤ 2 V DC
Utilization category		DC-13
Rated operational current	$I_e$	≤ 200 mA DC
Minimum operational current	$I_m$	≥ 1 mA DC
Off-state current	$I_r$	≤ 0,5 mA DC
No-load supply current	$I_o$	≤ 20 mA DC
Switching element		permanent overload and s.c.p.
Short-circuit protection		pulsed
False polarity protection		with permutation of +, -, output no damage occurs
Time delay before availability	$t_v$	≤ 50 ms

Electromagnetic compatibility (EMC)		
Electromagnetic field test	IEC 61000-4-3	3 V/m, 80...1000 MHz
Electrostatic discharge test	IEC 61000-4-2	4 kV CD
Electrical fast transient immunity test (Burst)	IEC 61000-4-4	1kV coupling clamp
Impulse voltage withstand ability (Surge)	IEC 61000-4-5	500 V, 1,2/50 $\mu$ s @ Ri = 42 $\Omega$

Mechanical Data	
Enclosure	Brass, nickel plated
Front cap	PTFE, nature
End cap	PA6.6, black
Ambient air temperature	-25 °C ... +70 °C
Type of protection	IP65
Pollution degree	3 (Pollution of the optic can cause impairments of the operating distances.)
Indication	Supply voltage: LED green Output ON: LED yellow
Termination type	Cable 3 x 0,5 mm <sup>2</sup> ; PVC-outer jacket, black
For attachment	2 x Hexagon nut, brass, nickel plated (tightening torque $\leq$ 25 Nm)

EU Conformity	
acc. to directive 2014/30/EU (EMC-Directive)	