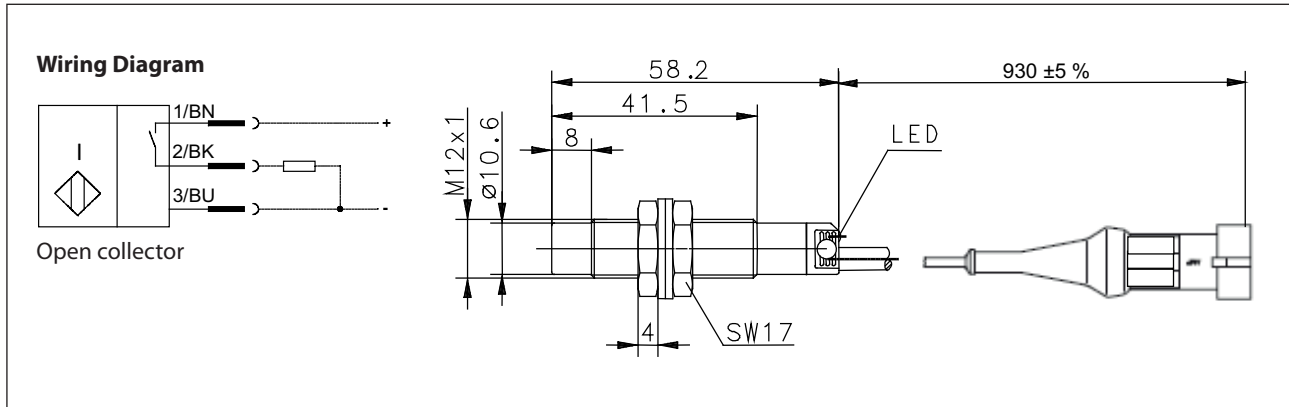


## Inductive Proximity Switch Series M12

Description **KIN-M12PS/008-KL0,9ES**

Article number **6602904829**



### Identifying characteristics in accordance with EN 60947-5-2

Electrical data		
Rated operating distance	$S_n$	8 mm
Standard target		24 mm x 24 mm, t = 1 mm, material: FE360
Real sensing distance	$S_r$	7,2 ... 8,8 mm
Assured operating distance	$S_a$	0 ... 6,1 mm
Switching element function		DC, N.O.
Repeat accuracy	R	≤ 5 %
Differential travel (hysteresis)	H	≈ 10 %
Operational voltage range	$U_B$	10 - 36 V DC
Rated insulation voltage	$U_i$	75 V DC
Rated impulse withstand voltage	$U_{imp}$	500 V
Voltage drop	$U_d$	≤ 1,5 V (add. 0,06 V per m cable and 200 mA Load at 20 °C)
Utilization category		DC 12
Rated operational current	$I_e$	200 mA @ 20 °C
Minimum operational current	$I_m$	≥ 1 mA
Off-state current	$I_r$	< 0,1 mA
No-load supply current	$I_o$	≤ 11 mA
Switching element		Permanent overload and s.c.p.
Short-circuit protection		pulsed
Frequency of operating cycles	f	400 Hz
Mounting		non flush
False polarity protection		yes
Time delay before availability	$t_v$	< 50 ms

<b>Electromagnetic compatibility (EMC)</b>	
Electromagnetic field test	IEC 61000-4-3
Electrostatic discharge test	IEC 61000-4-2
Electrical fast transient immunity test	IEC 61000-4-4
Radiated disturbance field strength	EN 55011

<b>Mechanical Data</b>	
Front cap	PA6.6, black
Enclosure	Brass, nickel plated
End cap	PA 6.6, black
Ambient air temperature	-25 °C ... +70 °C
Max. temperature drift of operating distance	± 15 %
Type of protection	IP67
Degree of pollution	3 (pollution of the active region, there can may be a deterioration of the operating distance)
Indication	LED, yellow
Termination type	Cable 3 x 0,14 mm <sup>2</sup> ; PVC-Outer jacket, black with AMP-Superseal-plug
For attachment	2 x hexagon nut 2 x toothed washer

<b>EU Conformity</b>	
	acc. to directive 2014/30/EU (EMC-Directive)