

# Technical Data

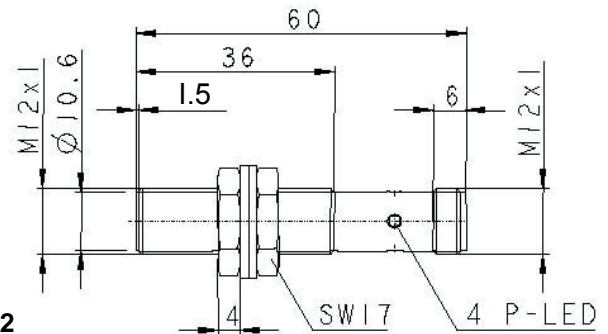
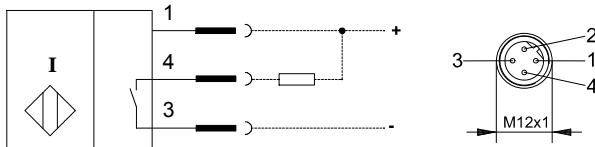
## Inductive Proximity Switch

### Series M12

Description **KIB-M12NS/004-KLES12**

Article number **6602343869**

#### Wiring Diagram



#### Identifying characteristics in accordance with EN 60947-5-2

#### Electrical data

Rated operating distance	$S_n$	4mm
Assured operating distance	$S_a$	0 ... 3,2mm
Switching element function		DC, N.O.
Repeat accuracy	R	≤ 5 %
Differential travel (hysteresis)	H	≈ 10 %
Operational voltage range	$U_B$	10 - 36 V DC
Rated insulation voltage	$U_i$	75 V DC
Rated impulse withstand voltage	$U_{imp}$	500 V
Voltage drop	$U_d$	≤ 1,5 V; ≤ 0,9 V bei 10 mA
Utilization category		DC 13
Rated operational current	$I_e$	≤ 200 mA
Off-state current	$I_r$	< 0,1 mA
No-load supply current	$I_o$	< 11 mA
Switching element		Permanent overload and s.c.p.
Short-circuit protection		pulsed
Frequency of operating cycles	f	800Hz
Mounting		flush
False polarity protection		yes
Time delay before availability	$t_v$	< 50ms

#### Electromagnetic compatibility (EMC)

Electromagnetic field test	IEC 61000-4-3
Electrostatic discharge test	IEC 61000-4-2
Electrical fast transient immunity test	IEC 61000-4-4
Impulse voltage withstand ability	IEC 61000-4-5
Radiated disturbance field strength	EN 55011

#### Mechanical Data

Front cap	PA6.6, black
Enclosure	Brass, nickel plated
End cap	PA6, black
Ambient air temperature	-25°C ... +70°C
Type of protection	IP67 (only in fully locked position with it's plugs)
Pollution degree	3 (Pollution of the active zone can use impairments of the operating distance)
Indication	LED, yellow
Termination type	Plug socket (Pin 2 not connected) with bush AMP-Superseal series 1.5 and dust protective
For attachment	2 x hexagon nut and 2 x toothed washer

#### EU Conformity

acc. to Directive 2004 / 108 / EC

#### Product reliability (in acc. with DIN EN 61709 (SN 29500))

MTTF (at nominal load, 40 °C) > 850 years

This document will not become the contractual basis; the details included herein do not constitute any descriptions of expected conditions, so that warranties/claims for defects on account of possible variations of the actual qualities from the qualities described herein are explicitly excluded. All rights reserved. Specifications subject to change without notice!