

Technical Data

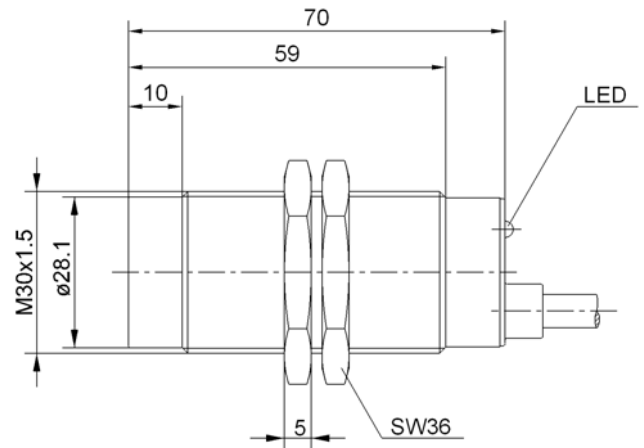
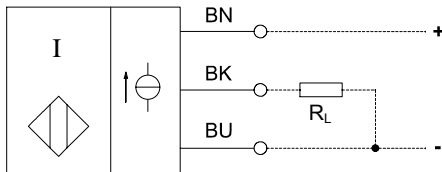
Inductive proximity switch

Series M30

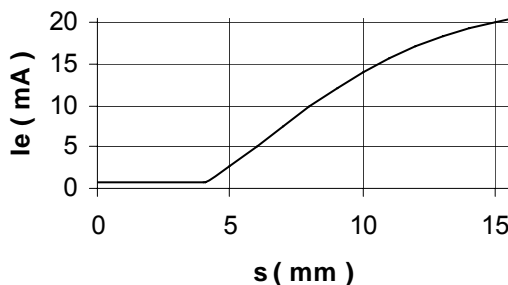
Type designation **KIN-M30PA/015-5V**

Item number **6602008332**

Wiring diagram



Characteristic



Characteristic features

Electrical data

Range of measurement	S	5 - 15 mm
Mounting		non flush
Standard target		FE360; 18mmx18mmx1mm
Current output	I	0 – 20 mA
Repeat accuracy		≤ 2% referring to the accumulated value (20 mA)
Linearity error		± 5% referring to the accumulated value (20 mA)
Temperature error		± 15% referring to the accumulated value (20 mA)
Rated operational voltage	U _e	12-24 V DC
Operational voltage range	U _B	10-36 V DC; incl. ripple frequency
No-load supply current	I ₀	≤ 35 mA
False polarity protection		protection against reverse supply polarity
Switching element		permanent overload and s.c.p.

Mechanical data

Front cap	PA 6.6, black
Enclosure	Brass, nickel plated
End cap	PA 12, black
Ambient air temperature	-25°C ... +70°C
Type of protection	IP67
Termination type	Cable 3 x 0,5 mm ² x 5 m ± 5 %; PVC-Outer jacket, black
Fixing accessories	2 x hex nut, brass nickel plated

This document will not become the contractual basis; the details included herein do not constitute any descriptions of expected conditions, so that warranties/claims for defects on account of possible variations of the actual from the here described condition are excluded. Subject to modifications and amendments.

Date of issue: 21.03.2011 / Page 1 of 1
Document: 6602008332_en.doc / Last update: 1 / 0148-11