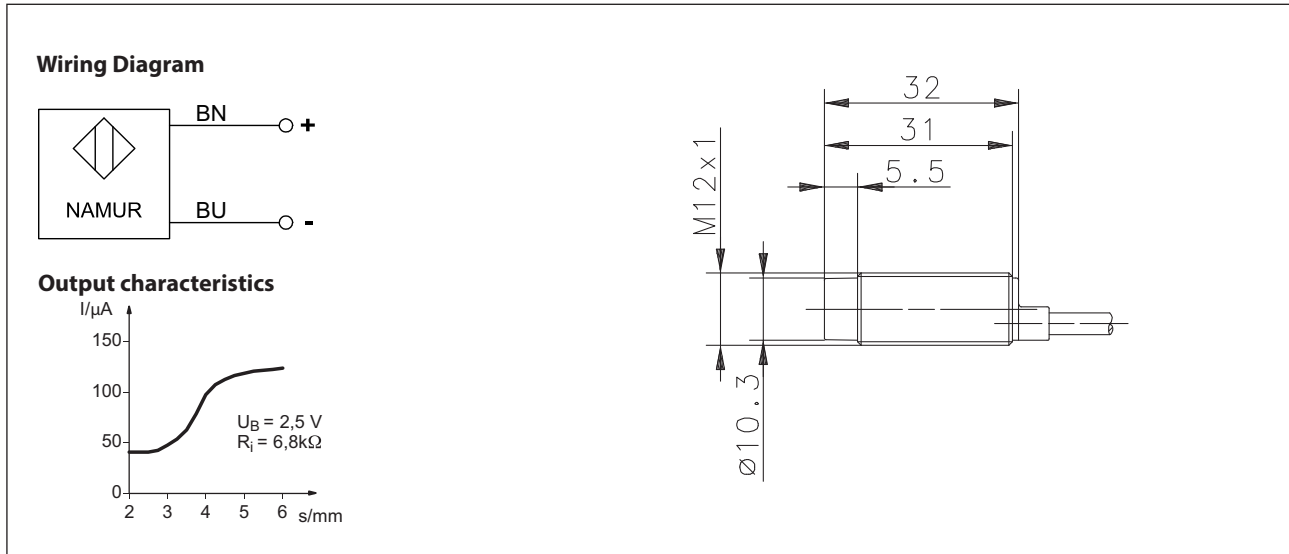


## Inductive Proximity Switch - Namur Series M12

Description **KIN-M12EA/004-0,21**

Article number **6601625973**



### Identifying characteristics in accordance with DIN EN 60947-5-6

Electrical data		
Mounting		non flush
Rated operating distance	$S_n$	4 mm
Standard target		12 mm x 12 mm, t = 1 mm, Material: FE360
Repeat accuracy	R	≤ 5 %
Rated voltage	$U_n$	DC 8 V
Rated operational voltage	$U_e$	DC 5 ... 25 V
Ripple		≤ 5 %
Current input		> 100 µA sensing face free < 50 µA sensing face damping
Frequency of operating cycles	f	≤ 400 Hz
Self-inductance	$L_i$	30 µH
Self-capacitance	$C_i$	10 nF
Vibration		10-55 Hz, a=1 mm
Shock		30 g, $t_{stoss}=11$ ms

Mechanical Data	
Front cap	PA 6.6, blue
Enclosure	Brass, nickel plated
Ambient air temperature	-25 °C ... +70 °C
Type of protection	IP67
Termination type	Cable 2 x 0,25 mm <sup>2</sup> x 0,21 m ±5 %, PVC - Outer jacket, blue

**EU Conformity**

acc. to directive 2014/30/EU

**EMC**

acc. to EN 60947-5-2