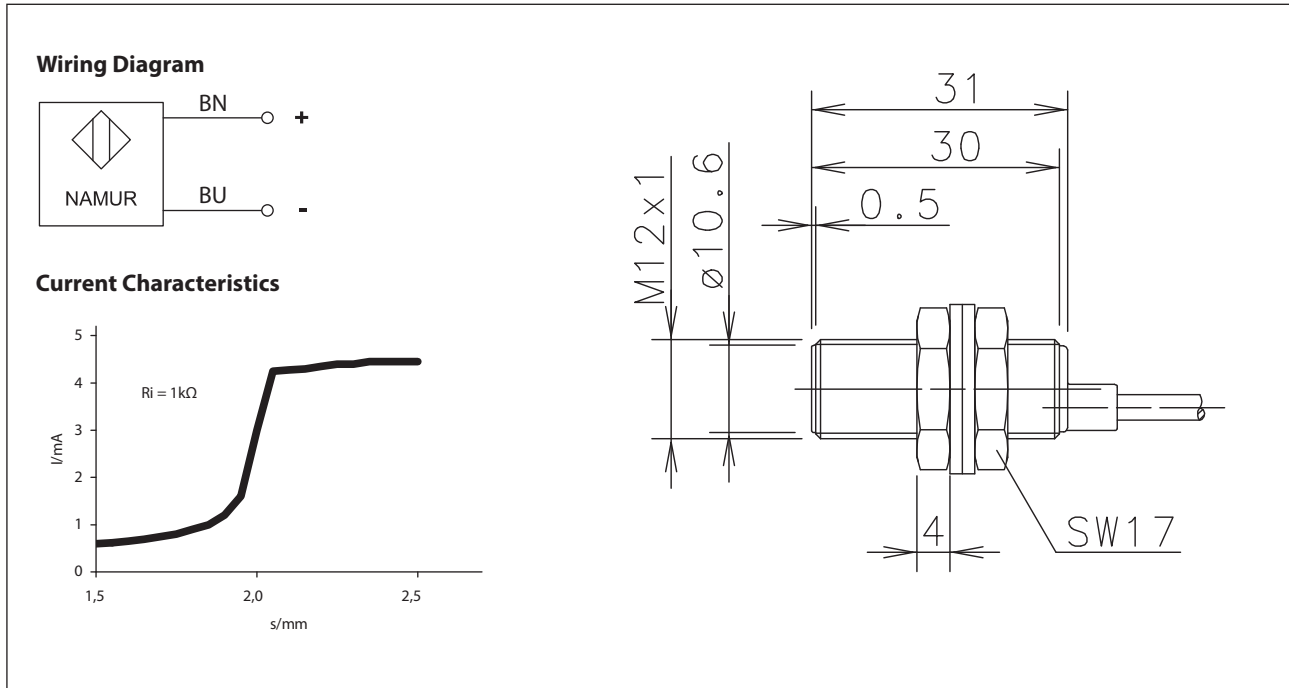


## Inductive Proximity Switch - Namur Series M12

Description **KIB-M12EA/002-6**

Article number **6601624927**



### Identifying characteristics in accordance with EN 60947-5-6

Electrical data	
Mounting	flush
Rated operating distance	$S_n$ 2 mm (switching point 1,5mA @ $U_n = 8V$ and $R_i = 1k\Omega$ )
Standard target	12 mm x 12 mm, t = 1 mm, material: FE360
Repeat accuracy	R $\leq 5\%$
Rated voltage	$U_n$ DC 8 V
Rated operational voltage	$U_e$ DC 5 ... 25 V
Ripple	$\leq 5\%$
Current input	> 3 mA ( $U_n = 8V$ and $R_i = 1k\Omega$ ) sensing face free < 1 mA ( $U_n = 8V$ and $R_i = 1k\Omega$ ) sensing face damping
Frequency of operating cycles	f $\leq 800$ Hz
Self-inductance	$L_i$ 100 $\mu$ H
Self-capacitance	$C_i$ 55 nF
Vibratory stresses	10-55 Hz, a=1 mm
Shock resistance	30 g, $t_{stoss}=11$ ms

Mechanical Data	
Front cap	PA 6.6, blue
Enclosure	Brass, nickel plated
End cap	PA 6, blue
Ambient air temperature	-25 °C ... +70 °C
Type of protection	IP67
Termination type	Cable 2 x 0,25 mm <sup>2</sup> x 6 m, PVC-Outer jacket, blue
For attachment	2 x hexagon nut (tightening torque ≤ 10 Nm) and 2 x toothed washer

EU Conformity	
acc. to directive 2004/108/EG	

Notes	
Custom packing	