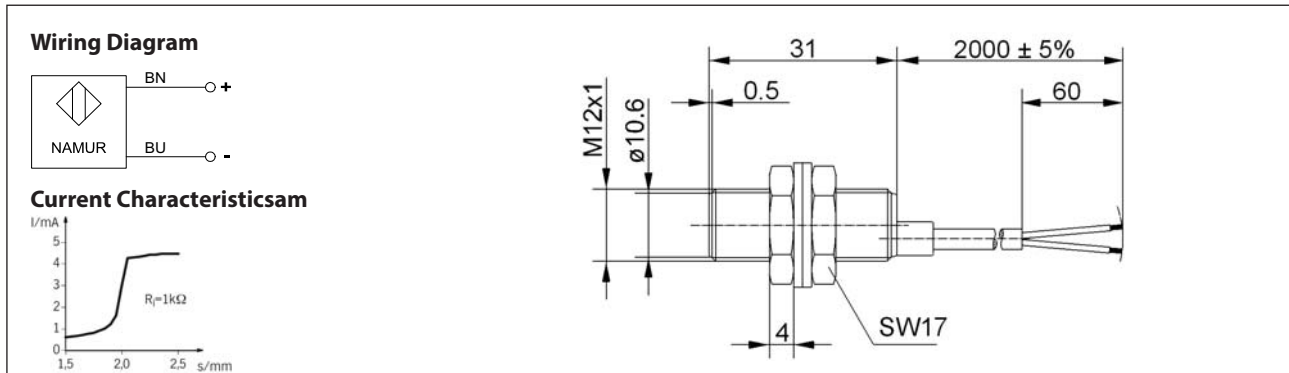


Inductive Proximity Switch - Namur

Series M12 

Description **KIB-M12EA/002-2G**

Article number **6581699016**



Identifying characteristics in accordance with DIN EN 60947-5-6

Electrical data	
Mounting	flush
Rated operating distance	S_n 2 mm (switching point 1,5 mA @ $U_n = 8$ V and $R_i = 1$ k Ω)
Standard target	12 mm x 12 mm, t=1 mm; material: FE
Wiederholgenauigkeit	R < 5 %
Rated voltage	U_n DC 8 V
Rated operational voltage	U_e DC 5 ... 25 V
Connection to intrinsically safe circuits with the following maximum limits	U_i 30 V
	I_i 100 mA
	P_i 225 mW
	R_i ≤ 1 k Ω
Ripple	≤ 5 %
Current input	I > 3 mA ($U_n = 8$ V and $R_i = 1$ k Ω) sensing face free < 1 mA ($U_n = 8$ V and $R_i = 1$ k Ω) sensing face damping
Frequency of operating cycles	f ≤ 800 Hz
Self-inductance	L_i $\leq 0,2$ mH
Self-capacitance	C_i ≤ 55 nF

Mechanical data	
Front cap	PA 6.6, blue
Enclosure	brass, nickel plated
End cap	PA 6, blue
Ambient air temperature	-20 °C ... +60 °C
Type of protection	IP67
Termination type	Cable 2 x 0,25 mm ² , PVC - Outer jacket, blue
For attachment	2 x hexagon nut and 2 x toothed washer

EU Conformity	
	acc. to directive 2014/34/EU
Label	
ATEX	II 2 G Ex ib IIC T6 Gb