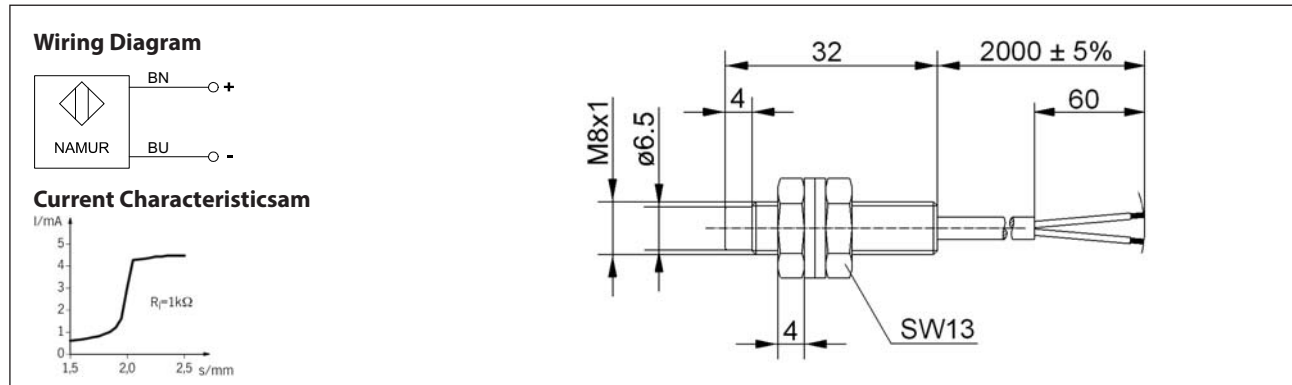


## Inductive Proximity Switch - Namur

Series M08 

Description **KIN-M08EA/002-2G**

Article number **6581645015**



### Identifying characteristics in accordance with DIN EN 60947-5-6

Electrical data	
Mounting	non flush
Rated operating distance	$S_n$ 2 mm (switching point 1,5 mA @ $U_n = 8$ V and $R_i = 1$ k $\Omega$ )
Standard target	8 mm x 8 mm, t=1 mm; material: FE
Wiederholgenauigkeit	R < 5 %
Rated voltage	$U_n$ DC 8 V
Rated operational voltage	$U_e$ DC 5 ... 25 V
Connection to intrinsically safe circuits with the following maximum limits	$U_i$ 30 V
	$I_i$ 100 mA
	$P_i$ 225 mW
	$R_i$ $\leq 1$ k $\Omega$
Ripple	$\leq 5$ %
Current input	$I$ > 3,5mA ( $U_n = 8$ V and $R_i = 1$ k $\Omega$ ) sensing face free < 1mA ( $U_n = 8$ V and $R_i = 1$ k $\Omega$ ) sensing face damping
Frequency of operating cycles	f $\approx 1$ kHz
Self-inductance	$L_i$ $\leq 0,2$ mH
Self-capacitance	$C_i$ $\leq 55$ nF

Mechanical data	
Front cap	PA 6.6, blue
Enclosure	stainless steel (Niro 1.4306)
Ambient air temperature	-20 °C ... +60 °C
Type of protection	IP67
Termination type	Cable 2 x 0,25 mm <sup>2</sup> , PVC - Outer jacket, blue
For attachment	2 x hexagon nut and 2 x toothed washer

<b>EU Conformity</b>	
	acc. to directive 94 / 9 / EC
<b>Label</b>	
ATEX	II 2 G Ex ib IIC T6 Gb