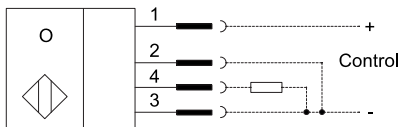


Photoelectric Sensors Series M18

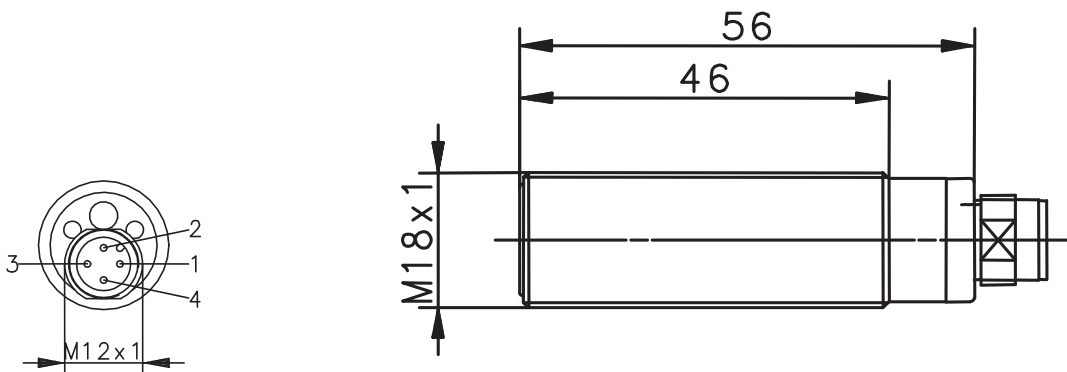
Description **OT18RT-DPAP-0200-SE**

Article number **6557018002**

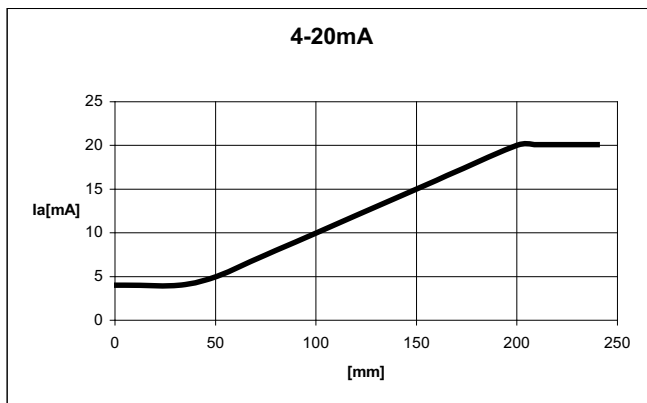
Wiring Diagram



If the control lead is connected to the + for a short time (0,1 ... 10s), the sensor is adjusted to a lower sensitivity.
More specifications about programming are available upon request



Typical sensing range



Identifying characteristics in accordance with EN 60947-5-2

Electrical data		
Sensing range	S_d	200 mm (adjustable by Control-Input); panel: 100 mm x 100 mm, white, maximum sensing range
Switching element function		analog, programmable, permanent overload protection
Repeat accuracy	R	$\leq 1 \%$
Operational voltage range	U_b	10-30 V DC
Rated insulation voltage	U_i	75 V DC
Rated impulse withstand voltage	U_{imp}	500 V
Voltage drop	U_d	$\leq 5 \text{ V}$
Utilization category		DC-12
No-load supply current	I_o	$< 40 \text{ mA}$
Ambient light proof		10 kLux
False polarity protection		yes
Time delay before availability	t_v	$< 300 \text{ ms}$

Electromagnetic compatibility (EMC)		
Electromagnetic field test	IEC 61000-4-3	3 V/m
Electrostatic discharge test	IEC 61000-4-2	8 kV
Electrical fast transient immunity test (Burst)	IEC 61000-4-4	2 kV
Impulse voltage withstand ability (Surge)	IEC 61000-4-5	500 V, 1,2/50 μs @ $R_i = 42 \Omega$
Radiated disturbance field strength	EN 55011	$\leq 40 \text{ dB } (\mu\text{V/m})$

Mechanical Data	
Enclosure	PBT, black
End cap	PA66, black
Plain front type	PA12
Ambient air temperature	-5 °C ... +70 °C
Type of protection	IP67 in fully locked position with it's plugs
Pollution degree	3 (Pollution of the optic can cause impairments of the operating distances.)
Termination type	plug M12 x 1, PA
For attachment	Hexagonal / knurled nut, ABS black

EU Conformity
acc. to directive 2004 / 108 / EC