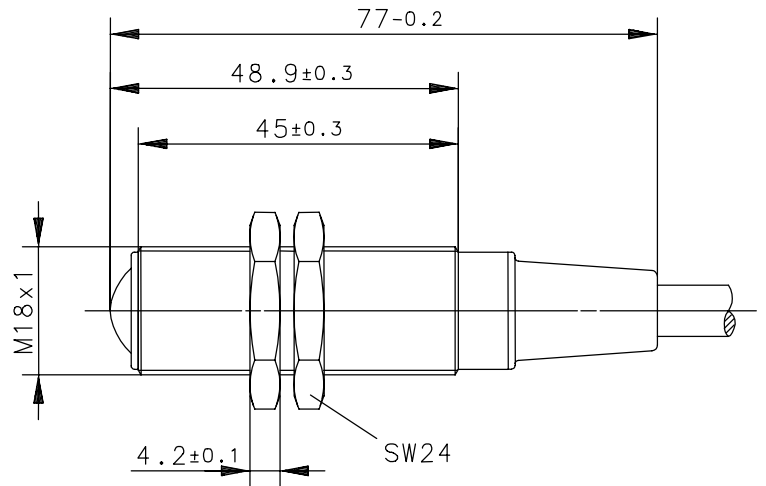
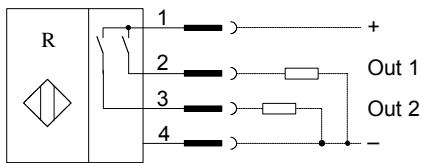


Series OR18

Article number **6555919001**

Wiring Diagram



Identifying characteristics in accordance with EN 60947-5-2

Electrical data		
Sensing range	s_d	0 ... 60mm with micro cube reflector
Lichtfleckdurchmesser		≈ 5mm @ $s_d = 60\text{mm}$
Switching element function		2 x PNP, Permanent s.c.p., Pulldown 4k7Ω, light activation
Repeat accuracy	R	≤ 1% when the reflector is moved across the optical axis
Differential travel (hysteresis)	H	≤ 15%
Operational voltage range	U_B	10 – 36V DC
Rated insulation voltage	U_i	75V DC
Rated impulse withstand voltage	U_{imp}	500V
Voltage drop	U_d	≤ 2V
Utilization category		DC-13 @ $I_e = 50\text{mA}$ and $U_e = 33\text{V DC}$
Minimum operational current	I_m	≤ 1mA
Off-state current	I_r	≤ 0,1mA
No-load supply current	I_o	≤ 15mA
Ambient light proof		10kLux
Short-circuit protection		pulsed
Frequency of operating cycles	f	500Hz
False polarity protection		yes
Time delay before availability	t_v	≤ 50ms (turn on pulse 5ms signals availability)
Turn on time	t_{on}	≤ 1ms
Electromagnetic compatibility (EMC)		
Electromagnetic field test	IEC 61000-4-3	$10^4 V/m$
Electrostatic discharge test	IEC 61000-4-2	8kV
Electrical fast transient immunity test (Burst)	IEC 61000-4-4	2kV
Radiated disturbance field strength	EN 55011	≤40dB (μV/m)

This document will not become the contractual basis; the details included herein do not constitute any descriptions of expected conditions, so that warranties/claims for defects on account of possible variations of the actual qualities from the qualities described herein are explicitly excluded. All rights reserved. Specifications subject to change without notice!

Date of issue : 14.09.2005 / Page 1 of 2
 Document : 6555919001_en / Last update: 1 / 0590-05

Technical Data

Photoelectric Sill Sensor

Mechanical Data	
Beam-output	Glass
Front cap	PA 6.6
Enclosure	PBT, black
End cap	PBT, black
Hexagon nut	PA 6.6, black
Ambient air temperature	-10°C ... +60°C
Protection class	II, totally insulated
Type of protection	IP67
Pollution degree	3 (Pollution of the optic can cause impairments of the operating distances.)
Termination type	Cable (Ölflex 190) 4 x 0,5mm ² x 6m; PVC - Outer jacket, grey with Wago-Female Plug (721-104/026-000)

EU Conformity	CE
---------------	----

Output function (Reflektorabstand 60mm)			
Optical path	Out 1	Out 2	Notes
Not broken	on	on	–
Damped, in consequence of pollution	on	off	Cleaning is necessary
broken	off	off	–

Notes - Termination			
	Wire	Wago-No.	Function
	BN	1	+U _B
	BK	2	Out 1
	WH	3	Out 2
	BU	4	0V

Approval	cCSA _{US}
----------	--------------------

This document will not become the contractual basis; the details included herein do not constitute any descriptions of expected conditions, so that warranties/claims for defects on account of possible variations of the actual qualities from the qualities described herein are explicitly excluded. All rights reserved. Specifications subject to change without notice!

Date of issue : 14.09.2005 / Page 2 of 2
 Document : 6555919001_en / Last update: 1 / 0590-05