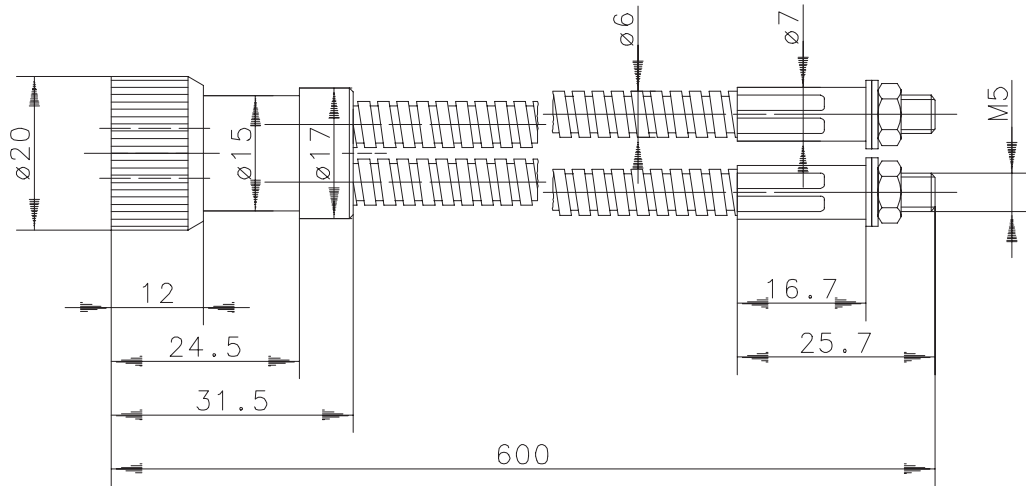


Type: **FES-L17GM/0,6**

Part-No.: **655.0000.017**

24.06.98/0746



Mechanical / Optical characteristics

Notes

Sensing distance	S_n	700 mm	The sensing heads are across from each other on one axis; in combination with OR17 series
Hysteresis	H	—	
Connection		M18 x 1 / \varnothing 4,5 x 4	brass, black chromium-plating
Sensing head		M5 x 9	stainless steel (Niro 1.4305)
Outer jacket		spiral hose	brass, nickel plated
Optical fibre		\varnothing 2,8	glass fibre bundle with sealed and polished ends
bending radius of the cable		25 mm	minimum
Operating temperature		- 40 °C bis + 280 °C	static
		- 40 °C bis + 150 °C	dynamic

Specials / Notes