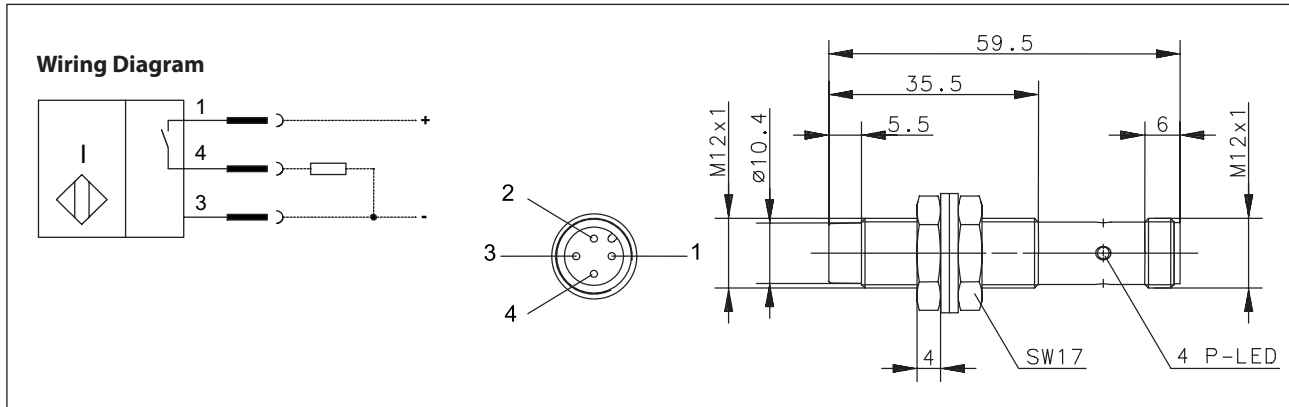


Inductive Proximity Switch Series M12

Description **KIN-M12PS/004-KLS12D**

Article number **6522944012**



Identifying characteristics in accordance with EN 60947-5-2

Electrical data		
Rated operating distance	S_n	4 mm
Assured operating distance	S_a	0 ... 3,2 mm
Switching element function		N.O.
Repeat accuracy	R	≤ 5 %
Differential travel (hysteresis)	H	≈ 10 %
Operational voltage range	U_B	10 - 36 V DC
Rated insulation voltage	U_i	75 V DC
Rated impulse withstand voltage	U_{imp}	500 V
Voltage drop	U_d	≤ 2 V
Utilization category		DC-13
Rated operational current	I_e	200 mA
Off-state current	I_r	< 0,3 mA
No-load supply current	I_o	< 11 mA
Switching element		Permanent overload and s.c.p.
Short-circuit protection		pulsed
Frequency of operating cycles	f	400 Hz
Mounting		non flush
False polarity protection		yes
Time delay before availability	t_v	< 50 ms

Electromagnetic compatibility (EMC)	
Electromagnetic field test	IEC 61000-4-3
Electrostatic discharge test	IEC 61000-4-2
Electrical fast transient immunity test	IEC 61000-4-4
Radiated disturbance field strength	EN 55011

Mechanical Data	
Front cap	PA 6.6, black
Enclosure	Brass, nickel plated
Endcap	PA 6.6, black
Ambient air temperature	-25 °C ... +60 °C
Type of protection	IP67 (only with screwed plug-in-connector)
Indication	Output LED yellow
Termination type	Male plug M12x1, PA
For attachment	2 x hexagon nut, brass, nickel plated and 2 x toothed washer

EU Conformity	
	acc. to directive 2014/34/EU (ATEX Directive)
	acc. to directive 2014/30/EU (EMC-Directive)

Label	
ATEX	II 3G Ex nA IIC T6 Gc X
	II 3D Ex tc IIIC T80°C Dc X