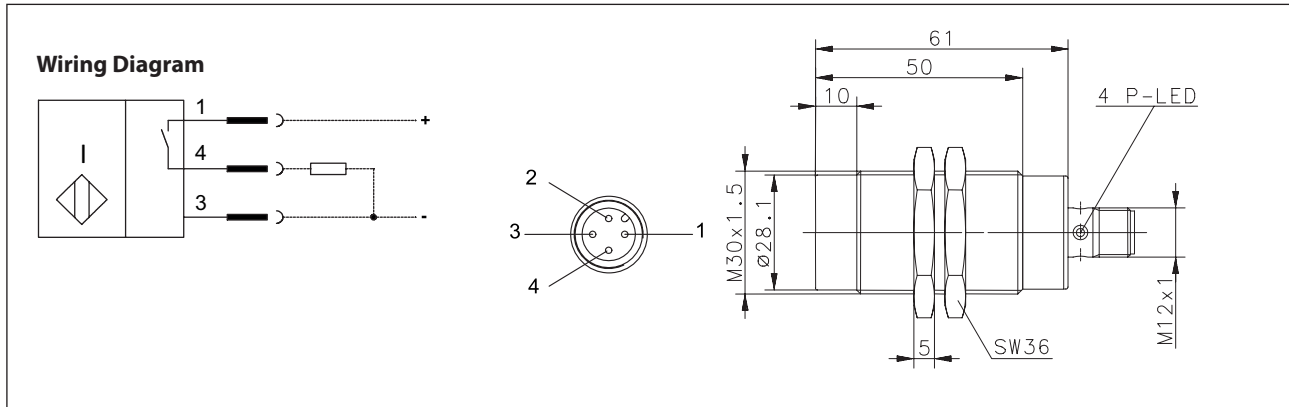


## Inductive Proximity Switch Series M30

Description **KIN-M30PS/015-KLS12D**

Article number **6522908020**



### Identifying characteristics in accordance with EN 60947-5-2

Electrical data		
Rated operating distance	$S_n$	15 mm
Assured operating distance	$S_a$	0 ... 12,2 mm
Switching element function		N.O.
Repeat accuracy	R	≤ 5 %
Differential travel (hysteresis)	H	≈ 10 %
Operational voltage range	$U_B$	10 - 36 V DC
Rated insulation voltage	$U_i$	75 V DC
Rated impulse withstand voltage	$U_{imp}$	500 V
Voltage drop	$U_d$	≤ 2 V
Utilization category		DC-13
Rated operational current	$I_e$	200 mA
Off-state current	$I_r$	< 0,3 mA
No-load supply current	$I_o$	< 11 mA
Switching element		Permanent overload and s.c.p.
Short-circuit protection		pulsed
Frequency of operating cycles	f	100 Hz
Mounting		non flush
False polarity protection		yes
Time delay before availability	$t_v$	< 50 ms

<b>Electromagnetic compatibility (EMC)</b>	
Electromagnetic field test	IEC 61000-4-3
Electrostatic discharge test	IEC 61000-4-2
Electrical fast transient immunity test	IEC 61000-4-4
Radiated disturbance field strength	EN 55011

<b>Mechanical Data</b>	
Front cap	PA 6.6, black
Enclosure	Brass, nickel plated
Endcap	PA 12, black
Ambient air temperature	-25 °C ... +60 °C
Type of protection	IP67 (only with screwed plug-in-connector)
Indication	Output LED yellow
Termination type	Male plug M12x1, PA
For attachment	2 x hexagon nut, brass, nickel plated

<b>EU Conformity</b>	
	acc. to directive 2014/34/EU (ATEX Directive)
	acc. to directive 2014/30/EU (EMC-Directive)

<b>Label</b>	
ATEX	II 3G Ex nA IIC T6 Gc X
	II 3D Ex tc IIIC T80°C Dc X