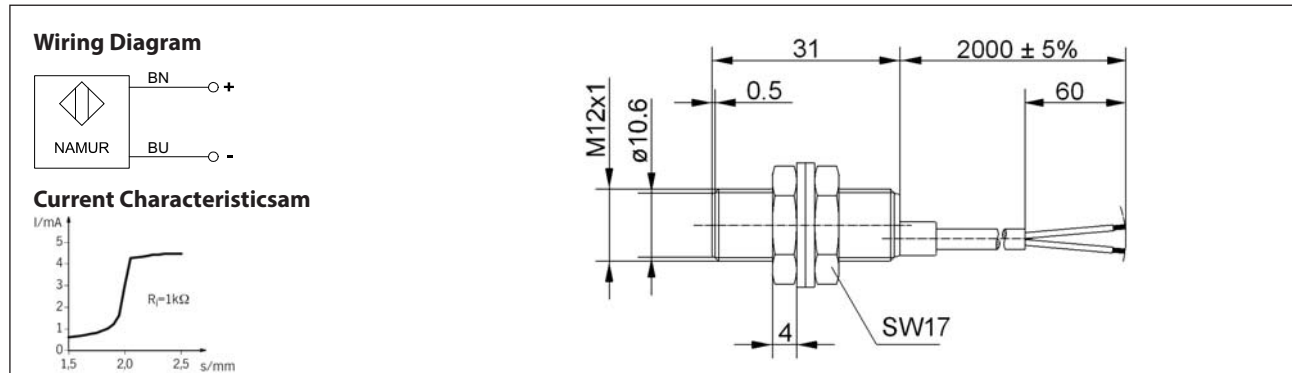


Inductive Proximity Switch - Namur

Series M12 

Description **KIB-M12EA/002-2G**

Article number **6521624004**



Identifying characteristics in accordance with DIN EN 60947-5-6

Electrical data		
Mounting		flush
Rated operating distance	S_n	2 mm (switching point 1,5 mA @ $U_n = 8\text{ V}$ and $R_i = 1\text{ k}\Omega$)
Standard target		12 mm x 12 mm, t=1 mm; material: FE
Wiederholgenauigkeit	R	< 5 %
Rated voltage	U_n	DC 8 V
Rated operational voltage	U_e	DC 5 ... 25 V
Connection to intrinsically safe circuits with the following maximum limits	U_i	30 V
	I_i	100 mA
	P_i	225 mW
	R_i	≤ 1 kΩ
Ripple		≤ 5 %
Current input	I	> 3 mA ($U_n = 8\text{ V}$ and $R_i = 1\text{ k}\Omega$) sensing face free < 1 mA ($U_n = 8\text{ V}$ and $R_i = 1\text{ k}\Omega$) sensing face damping
Frequency of operating cycles	f	≤ 800 Hz
Self-inductance	L_i	≤ 0,2 mH
Self-capacitance	C_i	≤ 55 nF

Mechanical data	
Front cap	PA 6.6, blue
Enclosure	brass, nickel plated
End cap	PA 6, blue
Ambient air temperature	-20 °C ... +60 °C
Type of protection	IP67
Termination type	Cable 2 x 0,25 mm ² , PVC - Outer jacket, blue
For attachment	2 x hexagon nut and 2 x toothed washer

EU Conformity	
	acc. to directive 2014/34/EU

Label	
ATEX	II 2 G Ex ib IIC T6 Gb