

# Technical Data

## Inductive Proximity Switch - Namur

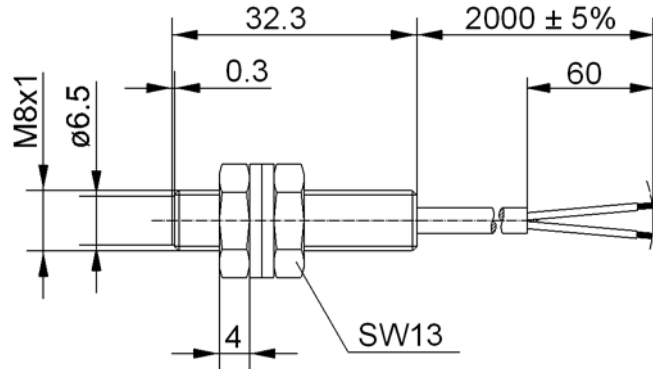
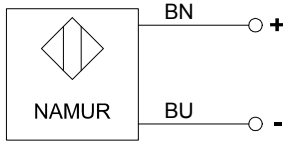
### Series M08



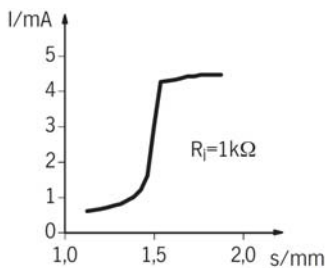
Description **KIB-M08EA/1,5-2G**

Article number **6521601003**

#### Wiring Diagram



#### Current Characteristics



#### Identifying characteristics in accordance with EN 60947-5-6

##### Electrical data

Mounting		flush
Rated operating distance	$S_n$	1,5 mm (switching point 1,5 mA @ $U_n = 8$ V and $R_i = 1$ k $\Omega$ )
Standard target		8 mm x 8 mm, t=1 mm; material: FE
Wiederholgenauigkeit	R	< 5%
Rated voltage	$U_n$	DC 8 V
Rated operational voltage	$U_e$	DC 5 ... 25 V
Ripple		≤ 5%
Current input	I	> 3mA ( $U_n = 8$ V and $R_i = 1$ k $\Omega$ ) sensing face free < 1mA ( $U_n = 8$ V and $R_i = 1$ k $\Omega$ ) sensing face damping
Frequency of operating cycles	f	≈ 1 kHz
Self-inductance	$L_i$	30 $\mu$ H
Self-capacitance	$C_i$	55 nF

##### Mechanical Data

Front cap	PA 6.6, blue
Enclosure	stainless steel (Niro 1.4306)
Ambient air temperature	-25 °C ... +60 °C
Type of protection	IP67
Termination type	Cable 2 x 0,25 mm <sup>2</sup> , PVC - Outer jacket, blue
For attachment	2 x hexagon nut and 2 x toothed washer

##### EC conformity

acc. to Directive 94 / 9 / EG

##### Label

ATEX	II 3 G Ex ib IIC T6 II 3 D Ex iD IIIC T70°C
------	--

This document will not become the contractual basis; the details included herein do not constitute any descriptions of expected conditions, so that warranties/claims for defects on account of possible variations of the actual qualities from the qualities described herein are explicitly excluded. All rights reserved. Specifications subject to change without notice!