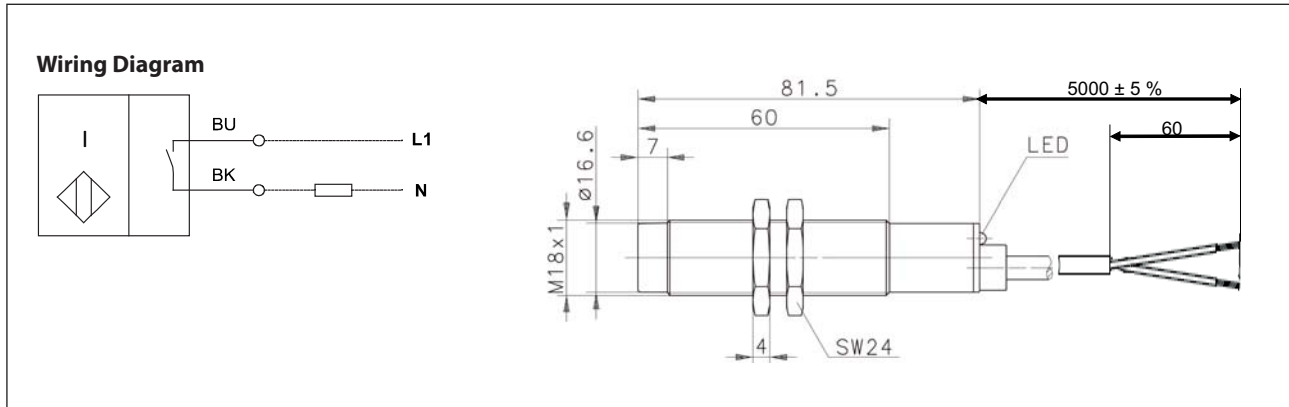


Inductive Proximity Switch Series M18

Description **KIN-M18AS/008-L5**

Article number **6503506006**



Identifying characteristics in accordance with EN 60947-5-2

Electrical data		
Rated operating distance	S_n	8 mm
Standard target		12 mm x 12 mm, t = 1 mm; material: FE360
Mounting		non flush
Assured operating distance	S_a	0 ... 6,5 mm
Switching element function		AC, N.O.
Repeat accuracy	R	≤ 5 %
Differential travel (hysteresis)	H	≈ 10 %
Rated operational voltage	U_e	230 V AC
Operational voltage range	U_B	20 – 250 V AC
Rated insulation voltage	U_i	250 V AC
Voltage drop	U_d	<5 V
Utilization category		AC 140
Rated operational current	I_e	≤400 mA
Minimum operational current	I_m	≤ 5 mA
Off-state current	I_r	< 2 mA
Short-time current	I_k	3 A
Short-circuit protection		without
Frequency of operating cycles	f	≈ 10 Hz
Rated supply frequency		45 – 65 Hz
Protection class		II
Time delay before availability	t_v	< 50 ms

Electromagnetic compatibility (EMC)	
Electromagnetic field test	IEC 61000-4-3
Electrostatic discharge test	IEC 61000-4-2
Electrical fast transient immunity test	IEC 61000-4-4
Radiated disturbance field strength	EN 55011

Mechanical Data	
Front cap	PA 6.6, black
Enclosure	Brass, nickel plated
Ambient air temperature	-25 °C ... +70 °C
Type of protection	IP67
Pollution degree	3 (Pollution of the active zone can cause impairments of the operating distances.)
Indication	LED yellow
Termination type	Cable 2 x 0,5 mm ² x 5 m, PVC - Outer jacket, black;
For attachment	2 x hexagon nut, brass, nickel plated (tightening torque ≤ 25 Nm),

EU Conformity	
	acc. to directive 2014/30/EU (EMC-Directive)