

# Technical Data

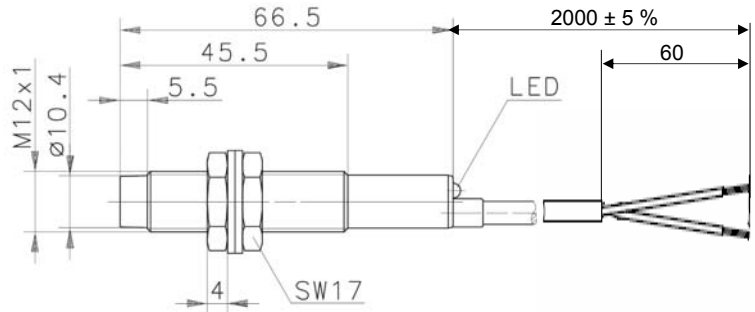
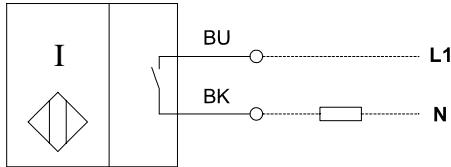
## Inductive Proximity Switch

### Series M12

Description **KIN-M12AS/004-L2**

Article number **6503504001**

#### Wiring Diagram



#### Identifying characteristics in accordance with EN 60947-5-2

##### Electrical data

Rated operating distance	$S_n$	4 mm
Standard target		8 mm x 8 mm, t = 1mm; material: FE360
Mounting		non flush
Assured operating distance	$S_a$	0 ... 3,2 mm
Switching element function		AC, N.O.
Repeat accuracy	R	≤ 5 %
Differential travel (hysteresis)	H	≤ 0,2 x $S_r$
Rated operational voltage	$U_e$	230 V AC
Operational voltage range	$U_B$	76 – 250 V AC
Rated insulation voltage	$U_i$	250 V
Voltage drop	$U_d$	≤ 10 V AC (r.m.s.)
Utilization category		AC 140
Rated operational current	$I_e$	200 mA
Minimum operational current	$I_m$	≤ 5 mA
Off-state current	$I_r$	< 2,5 mA
Short-time current		1 A, 1 half-wave
Short-circuit protection		without
Frequency of operating cycles	f	≈ 10 Hz
Rated supply frequency		50 Hz, 60 Hz
Protection class		II
Time delay before availability	$t_v$	≤ 100 ms

##### Electromagnetic compatibility (EMC)

Electromagnetic field test	IEC 61000-4-3
Electrostatic discharge test	IEC 61000-4-2
Electrical fast transient immunity test	IEC 61000-4-4
Radiated disturbance field strength	CISPR11

##### Mechanical Data

Front cap	PA 6.6, black
Enclosure	Brass, nickel plated
Ambient air temperature	-25°C ... +70°C
Type of protection	IP67
Pollution degree	3 (Pollution of the active zone can cause impairments of the operating distances.)
Indication	LED, yellow
Termination type	Cable 2 x 0,14 mm <sup>2</sup> ; PVC-Outer jacket, black
For attachment	2 x hexagon nut, 2 x toothed washer

##### EU Conformity



This document will not become the contractual basis; the details included herein do not constitute any descriptions of expected conditions, so that warranties/claims for defects on account of possible variations of the actual qualities from the qualities described herein are explicitly excluded. All rights reserved. Specifications subject to change without notice!

Date of issue: 10.11.2010 / Page 1 of 1  
Document : 6503504001\_en.doc / Last update: 1 / 0644-10