

Technical Data

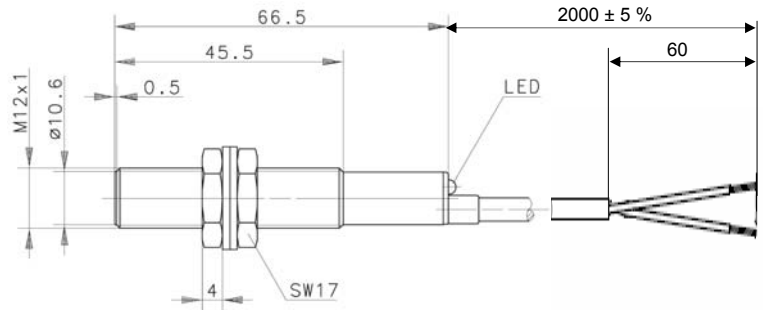
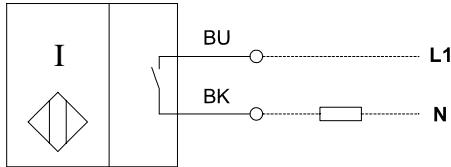
Inductive Proximity Switch

Series M12

Description **KIB-M12AS/002-L2**

Article number **6503503001**

Wiring Diagram



Identifying characteristics in accordance with EN 60947-5-2

Electrical data

Rated operating distance	S_n	2 mm
Standard target		8 mm x 8 mm, t = 1mm; material: FE360
Mounting		flush
Assured operating distance	S_a	0 ... 1,6 mm
Switching element function		AC, N.O.
Repeat accuracy	R	≤ 5 %
Differential travel (hysteresis)	H	≤ 0,2 x S_r
Rated operational voltage	U_e	230 V AC
Operational voltage range	U_B	76 – 250 V AC
Rated insulation voltage	U_i	250 V
Voltage drop	U_d	≤ 10 V AC (r.m.s.)
Utilization category		AC 140
Rated operational current	I_e	200 mA
Minimum operational current	I_m	≤ 5 mA
Off-state current	I_r	< 2,5 mA
Short-time current		1 A, 1 half-wave
Short-circuit protection		without
Frequency of operating cycles	f	≈ 10 Hz
Rated supply frequency		50 Hz, 60 Hz
Protection class		II
Time delay before availability	t_v	≤ 100 ms

Electromagnetic compatibility (EMC)

Electromagnetic field test	IEC 61000-4-3
Electrostatic discharge test	IEC 61000-4-2
Electrical fast transient immunity test	IEC 61000-4-4
Radiated disturbance field strength	CISPR11

Mechanical Data

Front cap	PA 6.6, black
Enclosure	Brass, nickel plated
Ambient air temperature	-25°C ... +70°C
Type of protection	IP67
Pollution degree	3 (Pollution of the active zone can cause impairments of the operating distances.)
Indication	LED, yellow
Termination type	Cable 2 x 0,14 mm ² ; PVC-Outer jacket, black
For attachment	2 x hexagon nut, 2 x toothed washer

EU Conformity



This document will not become the contractual basis; the details included herein do not constitute any descriptions of expected conditions, so that warranties/claims for defects on account of possible variations of the actual qualities from the qualities described herein are explicitly excluded. All rights reserved. Specifications subject to change without notice!

Date of issue: 10.11.2010 / Page 1 of 1
Document : 6503503001_en.doc / Last update: 1 / 0644-10