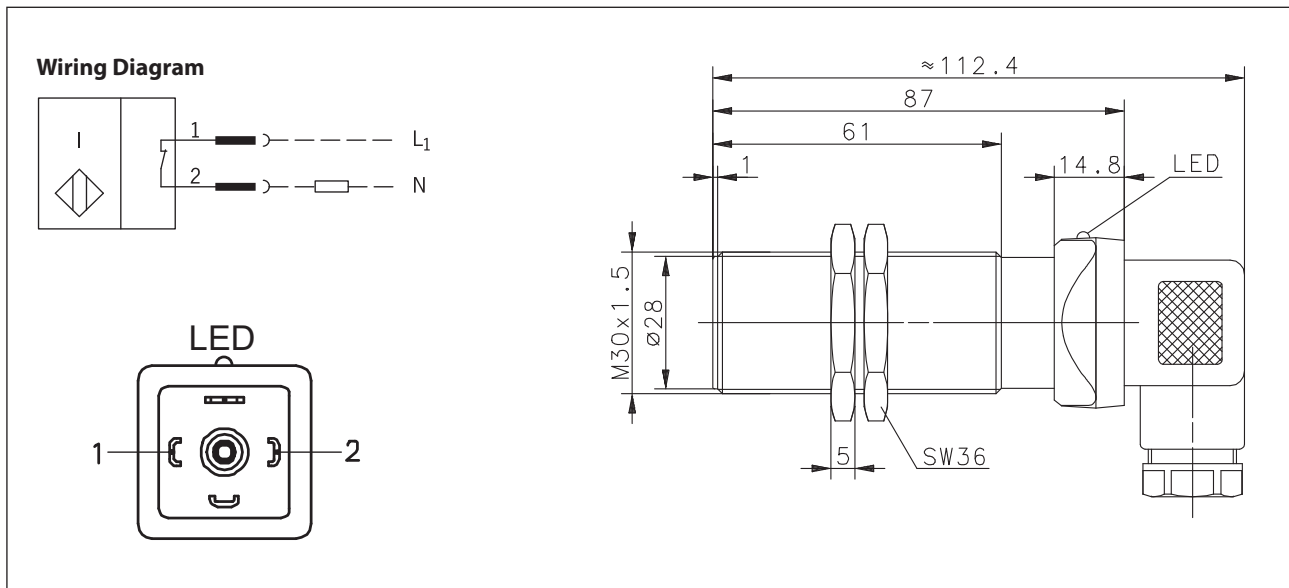


## Inductive Proximity Switch Series M30

Description **KIB-M30AÖ/010-LSD**

Article number **650343599**



### Identifying characteristics in accordance with EN 60947-5-2

Electrical data		
Rated operating distance	$S_n$	10 mm
Standard target		30 mm x 30 mm, t = 1 mm; Material: FE360
Real sensing distance	$S_r$	9,0 ... 11,0 mm
Assured operating distance	$S_a$	0 ... 8,1 mm
Switching element function		N.C., AC
Repeat accuracy	R	≤ 5 %
Differential travel (hysteresis)	H	≈ 10 %
Operational voltage range	$U_B$	20 - 265 V AC
Rated insulation voltage	$U_i$	250 V AC
Rated impulse withstand voltage	$U_{imp}$	500 V
Voltage drop	$U_d$	≈ 5 V
Utilization category		AC-140
Rated operational current	$I_e$	500 mA
Off-state current	$I_r$	< 2 mA
Inrush current	$I_k$	3 A
Frequency of operating cycles	f	20 Hz
Rated supply frequency		50/60 Hz
Mounting		flush
False polarity protection		VDR
Time delay before availability	$t_v$	≤ 100 ms

<b>Electromagnetic compatibility (EMC)</b>	
Electromagnetic field test	IEC 61000-4-3
Electrostatic discharge test	IEC 61000-4-2
Electrical fast transient immunity test	IEC 61000-4-4
Radiated disturbance field strength	EN 55011

<b>Mechanical Data</b>	
Front cap	PA 6.6, black
Enclosure	Brass, nickel plated
End cap	PA 6, black
Ambient air temperature	-25 °C ... +70 °C (plug: -30 °C .... +120 °C)
Type of protection	IP65 (only in fully locked position with it's plugs)
Pollution degree	3 (Pollution of the active zone can cause impairments of the operating distances.)
Indication	LED yellow
Termination type	Connection in dependence on DIN EN 175301-803
For attachment	2 x hexagon nut

<b>EU Conformity</b>	
acc. to directive 2004 / 108 / EC	