

# Technical Data

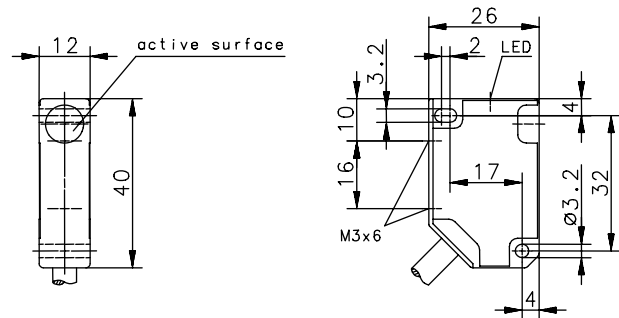
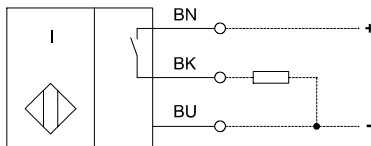
## Inductive Proximity Switch

### Series E40

Description **KIB-E40PS/002-KL2**

Article number **6502984023**

#### Wiring Diagram



#### Identifying characteristics in accordance with EN 60947-5-2

##### Electrical data

Rated operating distance	$S_n$	2mm
Standard target		12 x 12mm, t=1mm; material: FE360
Effective operating distance	$S_r$	1,8 ... 2,2mm
Assured operating distance	$S_a$	0 ... 1,6mm
Switching element function		DC, N.O.
Repeat accuracy	R	≤ 5%
Differential travel (hysteresis)	H	≈ 10%
Rated operational voltage	$U_e$	12 – 24V DC
Operational voltage range	$U_B$	10 – 36V DC
Rated insulation voltage	$U_i$	75V DC
Rated impulse withstand voltage	$U_{imp}$	500V
Voltage drop	$U_d$	≤ 1,5V
Utilization category		DC-13
Rated operational current	$I_e$	≤ 200mA @ 20°C
Minimum operational current	$I_m$	≤ 1mA
Off-state current	$I_r$	< 0,3mA
No-load supply current	$I_o$	< 11mA
Rated conditional short-circuit current		100A
Switching element		permanent overload and s.c.p.
Short-circuit protection		pulsed
Frequency of operating cycles	f	800Hz
Rated supply frequency		DC
Mounting		flush
False polarity protection		yes
Time delay before availability	$t_v$	≤ 50ms

##### Electromagnetic compatibility (EMC)

Electromagnetic field test	IEC 61000-4-3
Electrostatic discharge test	IEC 61000-4-2
Electrical fast transient immunity test (Burst)	IEC 61000-4-4
Impulse voltage withstand ability (Surge)	IEC 255-5
Radiated disturbance field strength	EN 55011

##### Mechanical Data

Enclosure	PBT, black
Ambient air temperature	-25°C ... +70°C
Type of protection	IP67
Pollution degree	3 (Pollution of the active zone can cause impairments of the operating distances.)
Indication	LED, yellow
Termination type	Cable 3 x 0,5mm <sup>2</sup> x 2m ; PVC-Outer jacket, black

##### EU Conformity



This document will not become the contractual basis; the details included herein do not constitute any descriptions of expected conditions, so that warranties/claims for defects on account of possible variations of the actual qualities from the qualities described herein are explicitly excluded. All rights reserved. Specifications subject to change without notice!

Date of issue: 30.01.2008 / Page 1 of 1  
Document : 6502984023\_en.doc / Last update: 1 / 0031-08