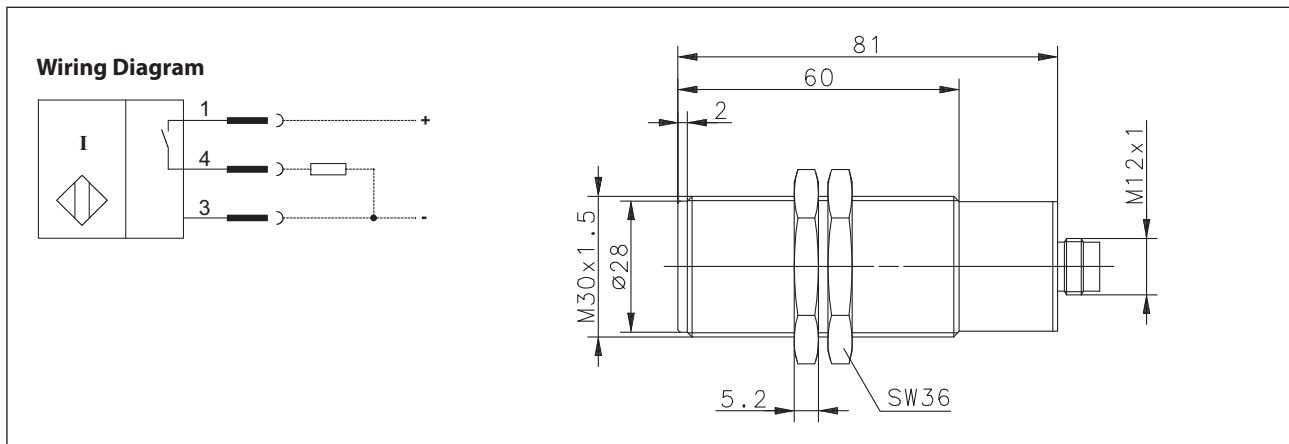


Inductive Proximity Switch Series M30

Description **KIN-T30PS/015-KS12**

Article number **6502923002**



Identifying characteristics in accordance with EN 60947-5-2

Electrical data		
Rated operating distance	S_n	15 mm
Standard target		45 mm x 45 mm, t = 1 mm; material: FE360
Real sensing distance	S_r	13,5 ... 16,5 mm
Assured operating distance	S_a	0 ... 12,2 mm
Switching element function		DC, N.O.
Repeat accuracy	R	≤ 5 %
Differential travel (hysteresis)	H	≈ 10 %
Operational voltage range	U_B	10 - 60 V DC
Rated insulation voltage	U_i	75 V DC
Rated impulse withstand voltage	U_{imp}	500 V
Voltage drop	U_d	≤ 2,5 V
Utilization category		DC 13 @ $I_e = 50$ mA und $U_e = 33$ V DC
Rated operational current	I_e	200 mA @ 20 °C
Off-state current	I_r	< 0,1 mA
No-load supply current	I_o	≤ 8 mA
Switching element		Permanent overload and s.c.p.
Short-circuit protection		pulsed
Frequency of operating cycles	f	100 Hz
Mounting		non flush
False polarity protection		yes
Time delay before availability	t_v	< 50 ms

Electromagnetic compatibility (EMC)	
Electromagnetic field test	IEC 61000-4-3
Electrostatic discharge test	IEC 61000-4-2
Electrical fast transient immunity test	IEC 61000-4-4
Radiated disturbance field strength	EN 55011

Mechanical Data	
Enclosure	PA 6, red
Ambient air temperature	-25 °C ... +70 °C
Type of protection	IP67 (only in fully locked position with it's plugs)
Degree of pollution	3 (pollution of the active region, there can may be a deterioration of the operating distance)
Termination type	Plug socket
For attachment	2 x hexagon nut, nut torque ≤ 5Nm

EU Conformity	
	acc. to directive 2014/30/EU