

# Technical Data

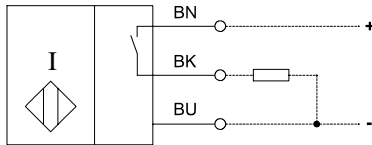
## Inductive Proximity Switch

### Series M18

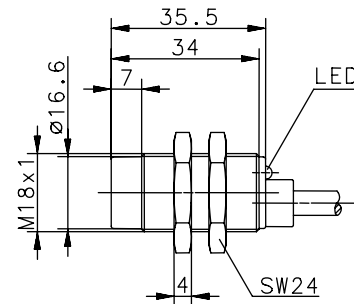
Description **KIN-M18PS/012-KL6VE**

Article number **6502906012**

#### Wiring Diagram



Open Collector



#### Identifying characteristics in accordance with EN 60947-5-2

#### Electrical data

Rated operating distance	$S_n$	12mm
Standard target		36mm x 36mm, t = 1mm; material: FE360
Effective operating distance	$S_r$	10,8 ... 13,2mm
Assured operating distance	$S_a$	0 ... 9,7mm
Switching element function		DC, N.O.
Repeat accuracy	R	≤ 5%
Differential travel (hysteresis)	H	≈ 10%
Operational voltage range	$U_B$	10 - 36V DC
Rated insulation voltage	$U_i$	75V DC
Rated impulse withstand voltage	$U_{imp}$	500V
Voltage drop	$U_d$	≤ 1,5V
Utilization category		DC 13 with $I_e = 50mA$ and $U_e = 33V$ DC
Rated operational current	$I_e$	≤ 200mA @ 20°C
Minimum operational current	$I_m$	≥ 1mA
Off-state current	$I_r$	< 0,1mA
No-load supply current	$I_o$	≤ 11mA
Rated conditional short-circuit current		100A
Switching element		Permanent overload and s.c.p.
Short-circuit protection		pulsed
Frequency of operating cycles	f	200Hz
Rated supply frequency		DC
Mounting acc. to EN 60947-5-2 A.3 (IA)		non flush
False polarity protection		yes
Time delay before availability	$t_v$	< 50ms

#### Electromagnetic compatibility (EMC)

Electromagnetic field test	IEC 61000-4-3
Electrostatic discharge test	IEC 61000-4-2
Electrical fast transient immunity test	IEC 61000-4-4
Radiated disturbance field strength	EN 55011
Impulse voltage withstand ability	IEC 255-5

#### Mechanical Data

Front cap	PA 6.6, black
Enclosure	Brass, nickel plated
End cap	PA 12, black
Ambient air temperature	-25°C ... +70°C
Type of protection	IP67
Pollution degree	3 (Pollution of the active zone can cause impairments of the operating distances.)
Indication	LED, yellow
Termination type	Cable 3 x 0,5mm <sup>2</sup> x 6m ±5%; PVC-Outer jacket, black
For attachment	2 x hexagon nut

#### EU Conformity



This document will not become the contractual basis; the details included herein do not constitute any descriptions of expected conditions, so that warranties/claims for defects on account of possible variations of the actual qualities from the qualities described herein are explicitly excluded. All rights reserved. Specifications subject to change without notice!