

# Technical Data

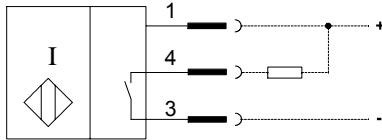
## Inductive Proximity Switch

### Series M8

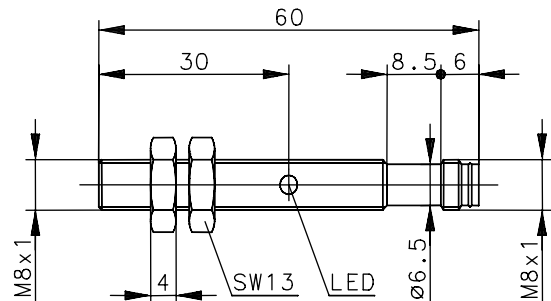
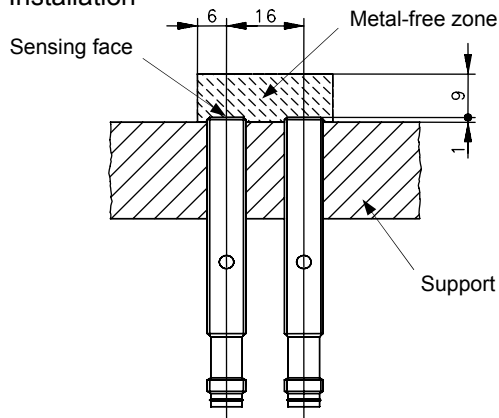
Description **KIB-M08NS/003-KLSM8**

Article number **6502302002**

#### Wiring Diagram



#### Installation



#### Identifying characteristics in accordance with EN 60947-5-2

##### Electrical data

Rated operating distance	$S_n$	3 mm
Standard target		9 mm x 9 mm, t = 1mm; material: FE360
Switching element function		DC, N.O.
Repeat accuracy	R	0,15 mm ( $U_B = 20 \dots 30 \text{ VDC}$ , $T_A = 23 \text{ °C} \pm 5 \text{ °C}$ )
Differential travel (hysteresis)	H	$\leq 10\% s$
Operational voltage range	$U_B$	10 - 30 VDC
Voltage drop	$U_d$	$\leq 2 \text{ V @ } 200 \text{ mA}$
Utilization category		DC 13
Rated operational current	$I_e$	$\leq 200 \text{ mA}$
No-load supply current	$I_o$	$\leq 10 \text{ mA}$
Switching element		Short-circuit and voltage reversal protection
Frequency of operating cycles	f	$\leq 1000 \text{ Hz}$
Rated supply frequency		DC
Mounting		quasi-embeddable
False polarity protection		yes
Time delay before availability	$t_v$	50ms

##### Electromagnetic compatibility (EMC)

Electromagnetic field test	IEC 61000-4-3	Level 3
Electrostatic discharge test	IEC 61000-4-2	Level 2
Electrical fast transient immunity test	IEC 61000-4-4	Level 2

##### Mechanical Data

Front cap	PBTP
Enclosure	cr plated brass
Ambient air temperature	-25°C ... +70°C
Type of protection	IP67 (only in fully locked position with its plugs)
Indication	LED
Termination type	Plug socket
For attachment	2 x hexagon nut

##### EU Conformity



This document will not become the contractual basis; the details included herein do not constitute any descriptions of expected conditions, so that warranties/claims for defects on account of possible variations of the actual qualities from the qualities described herein are explicitly excluded. All rights reserved. Specifications subject to change without notice!

Date of issue: 29.11.2006 / Page 1 of 1  
Document : 6502302002\_en.doc / Last update: 1 / 0775-06