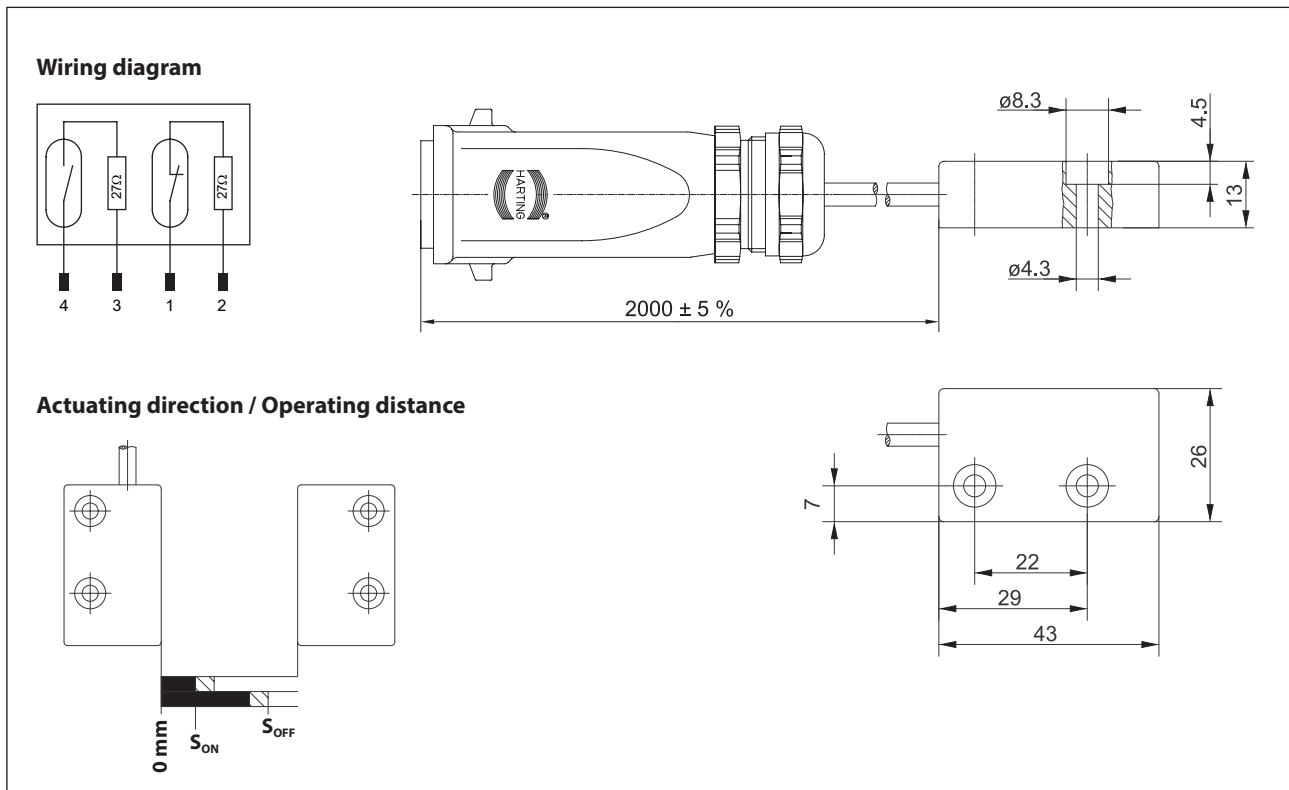


Magnetic Switch Series MA-52

Description **MAK-5236-2-STK**

Article number **6490652044**



Identifying characteristics in accordance with EN 60947-5-1 and EN 62246-1

Technical Data	
Operating distance	$S_{ON} \geq 2 \text{ mm}$ $S_{OFF} \leq 14 \text{ mm}$
Reference magnet	Coded magnetic system of type Tx-52-CD-xx preferred: 6402052305
Output	N.O., N.C. combined
Max. voltage	30 V DC
Mechanical life	3×10^8 switchings, however, according to the load resetability
Repeat accuracy	R $\pm 0,1 \text{ mm}$ under same geometrical conditions at the same temperature
Operating frequency	$\leq 1 \text{ Hz}$ (in connection with MÜZ-x02/xxx)

Mechanical data	
Enclosure	PBT, black; encapsulated reed contact
Ambient air temperature	-5 °C ... +70 °C
Protection class	IP 67 acc. to IEC 529, EN 60529 (only in fully snapped – in positions with it's plugs)
Connection	Cable 4 x 0,5mm ² x 2m; PVC - Outer jacket, black; with Harting plug connector
Installation position	operator definable
Weight	≈ 280 g
Pollution degree	3 acc. to EN 60947-1

Notes
<p>Application: Monitoring system of type MÜZ-x02/xxx</p> <p>These coded magnetic systems offer manipulation-safe locking and can not be actuated with simple tools like depolarised magnets.</p> <p>The sensor units are to be operated free from impact and vibration.</p> <p>Tightening torque of screws: 1,25 Nm ±0,25 Nm</p> <p>When this magnetic switch is used together with the related magnet, like TK-52-CD, and a suitable safety control unit, like MÜZ-102/D24-FL-DA, it supports a safety system up to PL d according to EN ISO 13849-1 and up to SIL CL 2 according to EN 62061.</p>