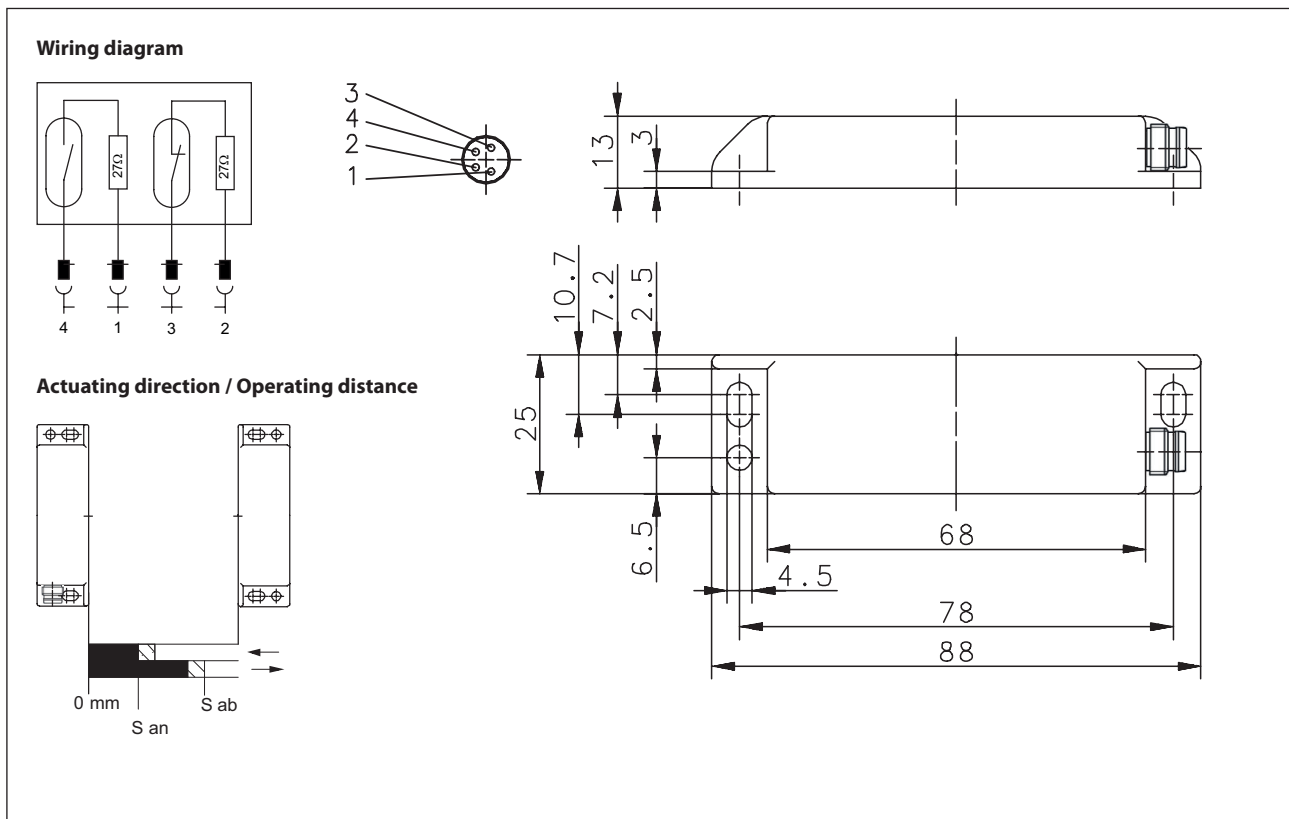


Magnetic Switch Series MA-42

Description **MAK-4236-BCD-M8**

Article number **6490642321**




Identifying characteristics in accordance with EN 60947-5-2 and EN 62246-1

Electrical data		
Assured operating distance	S_a	4 mm
Reference magnet		TK-42-CD/2
Output		N.O., N.C. combined
max. switching voltage		170 V DC / 120 V AC
max. switching current		400 mA DC / 280 mA AC
max. switching capacity		0,25 VA
Mechanical lifetime		3×10^8 switchings
Repeat accuracy	R	$0,1 \times S$ under same geometrical conditions at the same temperature (within the boundaries of S_a and S_{ab})
Max. release point	S_{ab}	17 mm
Operating frequency		1 Hz

Mechanical data	
Enclosure	PA6, black; encapsulated reed contact
Ambient air temperature	-5 °C ... +70 °C
Protection class	IP 67 acc. to EN 60529 (only in fully snapped-in position with it's plugs)
Connection	Plug connector with snap-in and screw cap
Installation position	operator definable
Pollution degree	3 acc. to EN 60947-1

EU Conformity	
acc. to directive 2014/35/EU (Low-Voltage-Directive)	

Approvals	
	RU Listed / Class 2 Power source
	Note limited electrical data:
	max. switching voltage 30 V AC / 60 V DC
	max. switching current 0,08 A
	max. switching capacity 0,25 VA

Notes
Application: Monitoring system of type MÜZ-x02/xxx
The sensor units are to be operated free from impact and vibration.
Tightening torque of screws: 1,25 Nm ±0,25 Nm