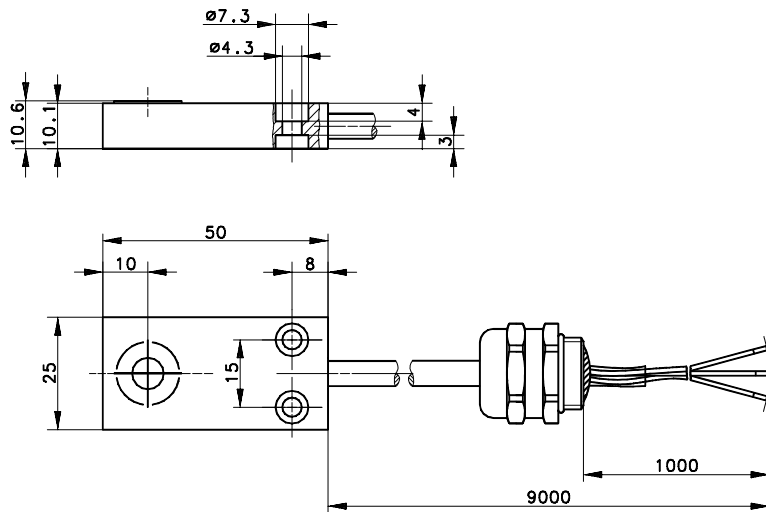


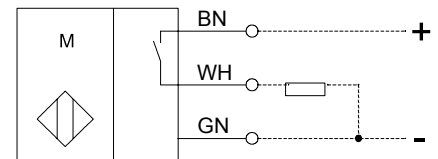
### Series MEK-99

Type designation **MEK-99XP2-X.2-9-KX**

Item number **6479299034**



Wiring Diagram



### Characteristic features in accordance with EN 60947-5-2

#### Electrical data

Assured operating distance	$S_a$	2 - 10mm (Target $\mu r \geq 100$ )		
Mounting		non flush		
Calibration cycle		1 impulse		
Switch point displacement (Target - speed = 0,75m/s)		Air gap	ON (before Target)	OFF (behind Target)
		10mm	7mm	5mm
		8mm	9mm	5mm
		6mm	10mm	4mm
		4mm	11mm	3mm
2mm	11mm	3mm		
Switching function		DC, N.O.		
Frequency of operating cycles	$f$	1kHz		
Operational voltage range	$U_B$	12 - 30VDC		
Rated insulation voltage	$U_i$	75VDC		
Rated impulse withstand voltage	$U_{imp}$	500V		
Voltage drop	$U_d$	$\leq 2,5V$		
Utilization category		DC-13		
Rated operational current	$I_e$	$\leq 200mA$ at 20°C		
Off-state current	$I_r$	$< 0,5mA$		
No-load supply current	$I_o$	$< 20mA$		
Output		permanent overload and s.c.p.		
Max. load current		$< 100mA$		
Short-circuit protection		pulsed		
False polarity protection		yes		
Time delay before availability	$t_v$	$\leq 1ms$		

#### Electromagnetic compatibility (EMC) / Environmental Tests

OTIS Worldwide Test & Reliability Standard

#### Mechanical data

Housing	PA 6 black
Operating temperature	-10°C ... +50°C
Type of protection	IP 67
Termination type	Cabel 3x0,34mm <sup>2</sup> x 9m, PVC-Outer jacket grey, shielded (HELU; Type: TRONIC-CY)
Sensor displacement (angle)	$\leq 10^\circ$
Fixing accessories	non ferromagnetic material required

This document will not become the contractual basis; the details included herein do not constitute any descriptions of expected conditions, so that warranties/claims for defects on account of possible variations of the actual from the here described condition are excluded. Subject to modifications and amendments.

Date of issue: 19.09.2003 / Page 1 of 1  
Document: 6479299034\_en.doc / Last update: 1 / 2125-03