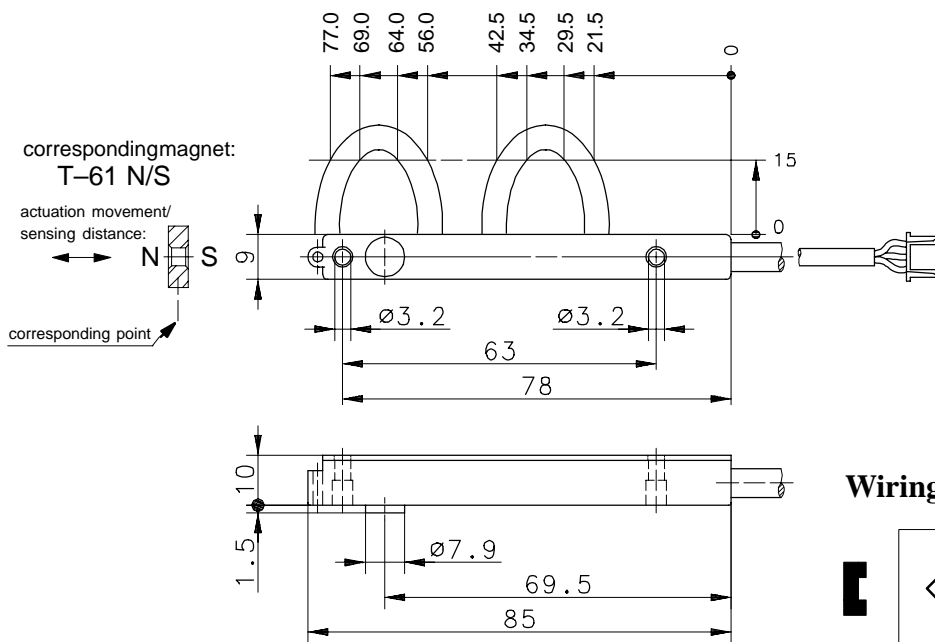
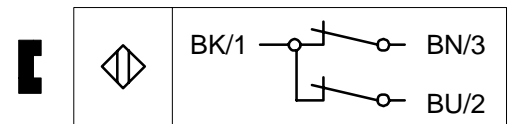


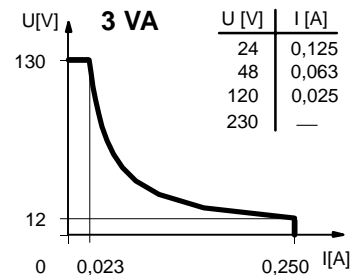


**BERNSTEIN**Division  
Sensortechnik**Technical Data****Magnetic Proximity Switch Series MA-99**Type: **MAK-9921-0.5-STK**Art.-No.: **642.0199.218**

03.03.99/0308

**Wiring Diagram:****Technical Data**

Max. Voltage : 130 V  
 Max. Switch Current : 0,25 A  
 Max. Switching : 3 VA

**Switching diagram**

Mech. Lifetime : 3 x 10<sup>8</sup> switchings, however, according to the load resetability  
 Resetability : ± 0,1 mm under same geometrical conditions at the same temperature  
 Temperature range : -5 °C ... +70 °C  
 Protection : IP 65 according to IEC 529, EN 60529 (NEMA 4)  
 Output function : N.C. (other functions on request)

**Mechanical Features**

Housing : PA 12, black; encapsulated reed contact  
 Connection : Cable 3 x 0,14 mm<sup>2</sup> x 0,5 m; PVC – Outer jacket, black with JST-socket (other lengths upon request)  
 Assembly position : optional (assembly on iron means reduction of switch distance)

Pay attention to the contact protection when switching inductive loads.

Data Sheets are subjects to change without further notice.

**Hans Bernstein GmbH & Co.**  
Division SensortechnikRöcker Str. 16  
Tel.: 05722/208-0D-31675 Bückeberg  
Telefax: 05722/208-637