

# Technical Data

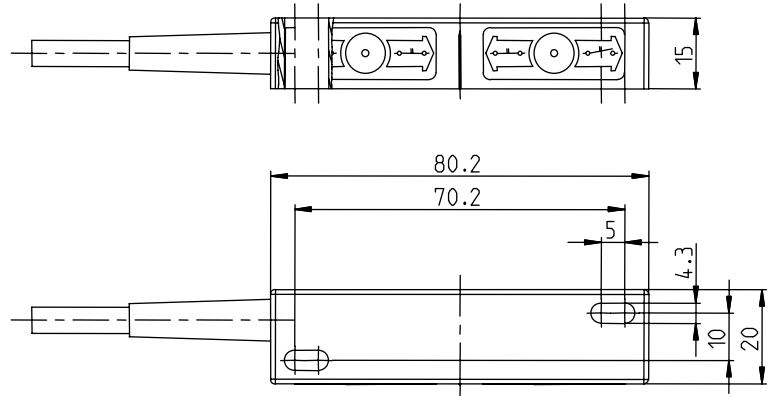
## Magnetic switch

### Series MA-02

Type designation **MAK-0214-P-3**

Item number **6419402397**

#### Wiring diagram



#### Electrical data

Switching element function	bistable "N.O.-N.C."
Reed contact: max. switching voltage	250 V
max. switching current	5 A ( 2 ms )
Max. permanent limiting current	2,5 A
max. switching capacity	250 VA
mechanical lifetime	3 x 10 <sup>8</sup> switchings, however, according to load resetability
Repeat accuracy	R ± 0,1mm under same geometrical conditions at the same temperature
Shock	10g (11ms, ½ Sine wave)
Vibration	10g (10-55 Hz)
Assured operating distance	10 mm
Corresponding magnet	T-67

#### Mechanical data

Enclosure	PA 6.6, black; encapsulated reed contact
Ambient air temperature	-5 °C ... +70 °C -25°C ... +70°C (cable fixed mounted)
Type of protection	IP67 according to IEC 529, EN 60529
Termination type	cable 2 x 0,5 mm <sup>2</sup> x 3 m; PVC -outer jacket black;
Assembly position	optional (assembly on iron means reduction of switch distance)

This document will not become the contractual basis; the details included herein do not constitute any descriptions of expected conditions, so that warranties/claims for defects on account of possible variations of the actual from the here described condition are excluded. Subject to modifications and amendments.

Date of issue: 03.09.2007 / Page 1 of 1  
Document: 6419402397\_en.doc / Last update: 1 / 0418-07