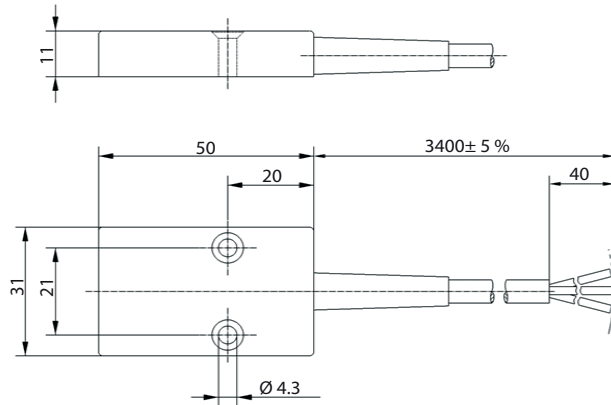
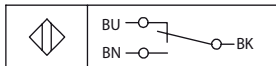


Magnetic Switch Series MA-41

Description **MAK-4113-K-3,45**

Article number **6415341265**

Wiring diagram



Identifying characteristics in accordance with EN 60947-5-1 and EN 62246-1

Electrical data	
Output function	C.O.
Max. switching voltage	250 V
Max. switching current	0,5 A
Max. switching	30 VA
Mechanical lifetime	3 x 10 ⁸ switchings, however, according to load resetability
Repeat accuracy	R ± 0,1 mm, under same geometrical conditions at the same temperature
Shock	10 g (11 ms, ½ Sinus wave)
Vibration	15 g (50 – 2000 Hz)

Mechanical data	
Enclosure	PA6.6, black; encapsulated reed contact
Ambient air temperature	-5 °C bis +70 °C (in moving and non-moving state)
Type of protection	IP 67 acc. to EN 60529
Termination type	cable 3 x 0,75 mm ² ; PVC-Outer jacket, black
Assembly position	optional (assembly on iron means reduction of switch distance)

EU Conformity	
acc. to directive 2014/35/EU (Low-Voltage-Directive)	

Notes	
Pay attention to the contact protection, when switching inductive or capacitive loads!	