

Technical Data

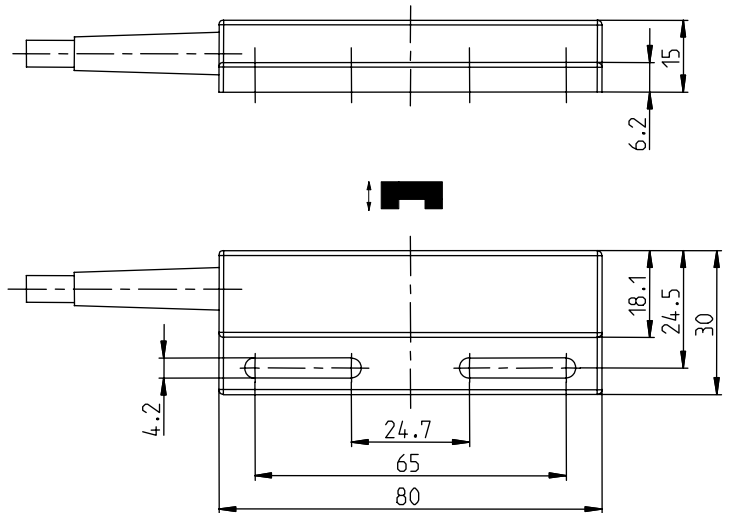
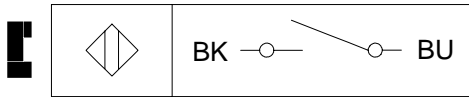
Magnetic switch

Series MA-44

Type designation **MAK-4412-F-5**

Item number **6414244591**

Wiring diagram



Electrical data

Assured operating distance	S _a	19 mm
Switching element function		N.O.
Reed contact:		250 V
max. switching voltage		3 A
max. switching current		100 VA
max. switching capacity		3x10 ⁸ switchings, however, according to load resetability
mechanical lifetime		± 0,1 mm
Repeat accuracy	R	under same geometrical conditions at the same temperature
Shock		50 g (11 ms, ½ Sinevawe)
Vibration		35 g (10-1000 Hz)
Corresponding magnet		TK-44

Mechanical data

Enclosure	PA 6.6, black; encapsulated reed contact
Ambient air temperature	-5 °C ... +70 °C
Type of protection	IP67 (NEMA 4) according to IEC 529, EN 60529
Termination type	cable 2 x 0,5 mm ² x 5 m, PVC -outer jacket black
Assembly position	optional (assembly on iron means reduction of switch distance)

Pay attention to the contact protection when switching inductive loads.

This document will not become the contractual basis; the details included herein do not constitute any descriptions of expected conditions, so that warranties/claims for defects on account of possible variations of the actual from the here described condition are excluded. Subject to modifications and amendments.

Date of issue: 08.05.2008 / Page 1 of 1
Document: 6414244591_en.doc / Last update: 1 / 0154-08