

Technical Data

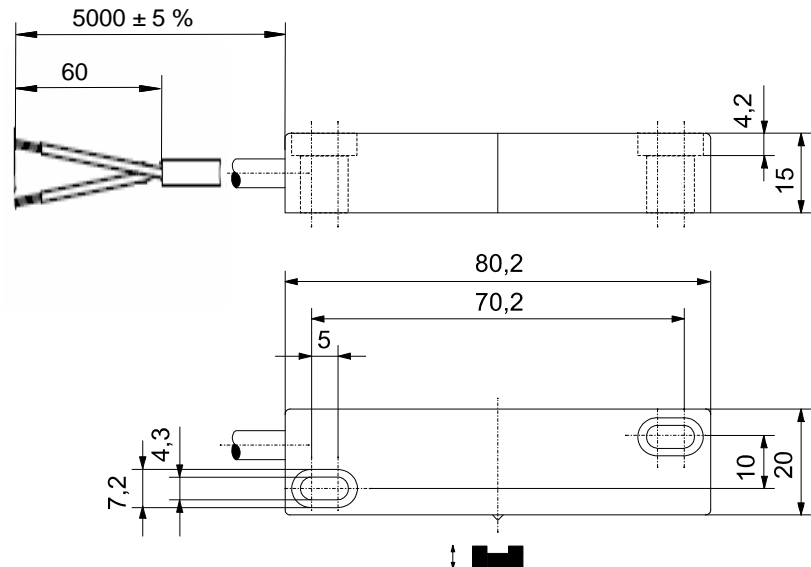
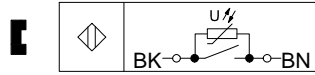
Magnetic switch

Series MA-12

Type designation **MAK-1212-A-5**

Item number **6414212647**

Wiring diagram



Identifying characteristics in accordance with EN 60947-5-1 and EN 62246-1

Electrical data

Assured operating distance	S _a	22 mm
Switching element function		N.O.
Reed contact:		
max. switching voltage		250 V AC / 250 V DC
max. switching current		3,0 A
max. switching capacity		120 V A
mechanical lifetime		3x10 ⁶ switchings, however, according to load resetability
Repeat accuracy	R	± 0,1 mm
		under same geometrical conditions at the same temperature
Max. Release point		49 mm
Shock		50 g (11 ms, ½ Sinus wave)
Vibration		35 g (10 – 1000 Hz)
Corresponding magnet		TK-21-12
Integrated overvoltage protection		VDR

Mechanical data

Enclosure	PA 6.6, red; encapsulated reed contact
Ambient air temperature	-5 °C ... +70 °C
Type of protection	IP67 according to IEC 529, EN 60529
Termination type	2 x AWG 20; PVC -outer jacket black;
Assembly position	optional (assembly on iron means reduction of switch distance)

EU Conformity

acc. to directive 2004 / 108 / EC

Approvals



UL Listed, Ind. Cont. Eq. / Class 2 Power source

Note limited electrical data:

max. switching voltage 30 V AC / 60 V DC

max. switching current 2,0 A

max. switching capacity 100 V A

This document will not become the contractual basis; the details included herein do not constitute any descriptions of expected conditions, so that warranties/claims for defects on account of possible variations of the actual from the here described condition are excluded. Subject to modifications and amendments.

Date of issue: 20.11.2012 / Page 1 of 1
Document: 6414212647_en / Last update: 2 / 0423-12