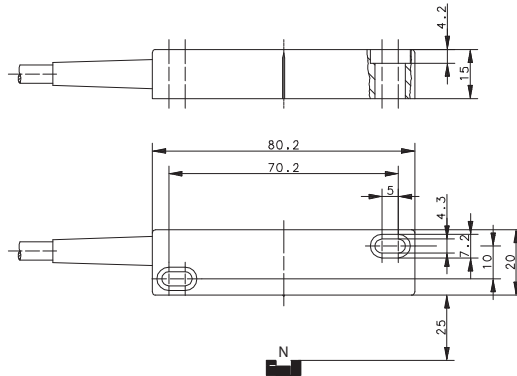
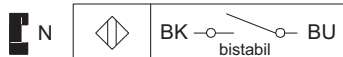


## Magnetic Switch Series MA-12

Description **MAK-1214-L-2**

Article number **6410412143**

### Wiring diagram



### Identifying characteristics in accordance with EN 60947-5-1 and EN 62246-1

#### Electrical data

Output function	bistable
Max. switching voltage	250 V DC
Max. switching current	1,0 A
Max. switching capacity	60 VA
Min. switching capacity	3 VA
Mechanical lifetime	3 x 10 <sup>8</sup> switchings, however, according to the load resetability
Repeat accuracy	R ± 0,1 mm, under same geometrical conditions at the same temperature
Corresponding magnets	T-62 N/S

#### Mechanical data

Enclosure	PA6.6, red; encapsulated reed contact
Ambient air temperature	-5 °C ... +70 °C
Type of protection	IP 67 acc. to EN 60529
Termination type	Cable 2 x 0,5 mm <sup>2</sup> x 2 m; PVC – Outer jacket, black
Assembly position	optional (assembly on iron means reduction of switch distance)

#### ID for safety engineering

B10d	0.6 x 10 <sup>6</sup> cycles
------	------------------------------

#### EU Conformity

acc. to directive 2014/35/EU

#### Notes

Pay attention to the contact protection when switching inductive loads.