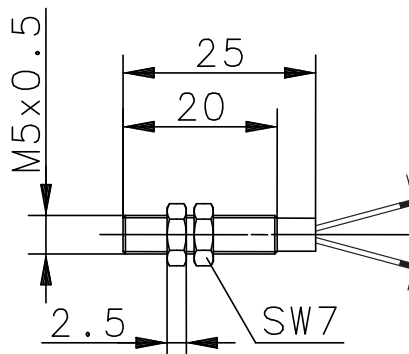
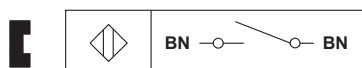


Magnetic Switch Series M05

Description **MAM-M05S/R20-1,2T**

Article number **6410299679**

Wiring diagram



Identifying characteristics in accordance with EN 60947-5-2 and EN 62246-1

Elektrische Daten	
Magnetic sensitivity	15-20 AW
Switching element function	N.O.
Max. switching voltage	120 V AC / 170 V DC
Max. switching current	0,5 A
Max. switching capacity	10 VA
Mechanical lifetime	3 x 10 ⁸ switchings, however, according to load resetability
Repeat accuracy	R ± 0,1 mm, under same geometrical conditions at the same temperature
Shock	100 g (11 ms, ½ Sine wave)
Vibration	10 g (10 - 2000 Hz)

Mechanical data	
Enclosure	CuZn39Pb3
Front cap	LCP, black
Ambient air temperature	-55 °C ... +90 °C
Type of protection	IP 67 acc. to EN 60529
Termination type	litz wire 2 x AWG 22 x 1,2 m, Spec 55, ETFE
Assembly position	optional (assembly on iron means reduction of switch distance)
For attachment	2 x hexagon nut, brass, tightening torque 1,5 Nm

ID for safety engineering	
B10d	43,1 x 10 ⁶ cycles (5 V / 100 mA)

Standards	
	DIN EN ISO 13849-1

EU Conformity	
	acc. to directive 2014/35/EU