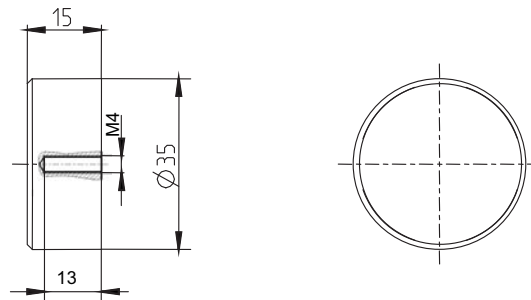


## Magnetic Switch

### Switching magnet


Description **TN-43-CD/2**

Article number **6408043070**



### Identifying characteristics

Mechanical data	
Enclosure	X8CrNiS18-9 (1.4305), encapsulated magnets
Magnet	Neodym-iron-boron (NdFeB)
Ambient air temperature	-20 °C ... +80 °C
Application	Magnetic limit switch type <b>MAK 53 xx</b>
Installation position	operator definable
Pollution degree	3 acc. to EN 60947-1
Accessories	1 x countersunk screw M4 x 20

Approvals	
	
	UL Listed, Ind. Cont. Eq.