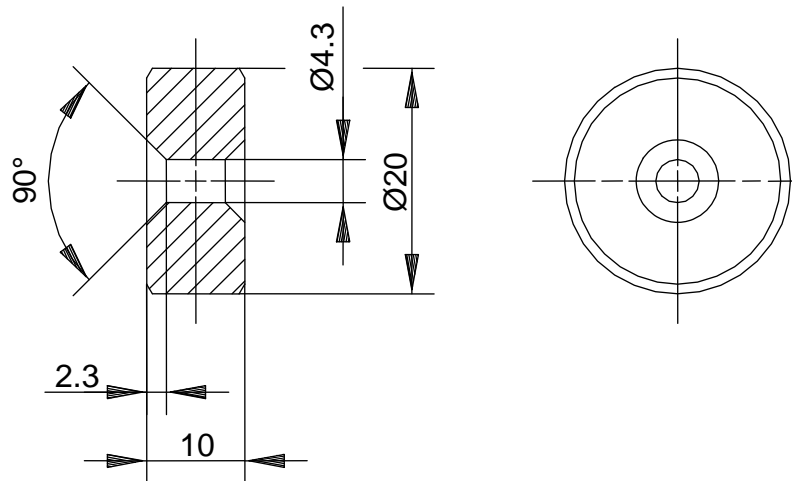


Magnet

Type designation **T-67 N(RT)/S(GN)**

Item number **6404267314**



Characteristic features

Mechanical data

Magnet	Hartferrit 24/23; axial magnetisation
Marking	red label on the north pole side green label on the south pole side
Ambient air temperature	-20 °C ... +80 °C
Application	general use

This document will not become the contractual basis; the details included herein do not constitute any descriptions of expected conditions, so that warranties/claims for defects on account of possible variations of the actual from the here described condition are excluded. Subject to modifications and amendments.

Date of issue: 17.01.2013 / Page 1 of 1
Document: 6404267314_en / Last update: 1 / 0388-08