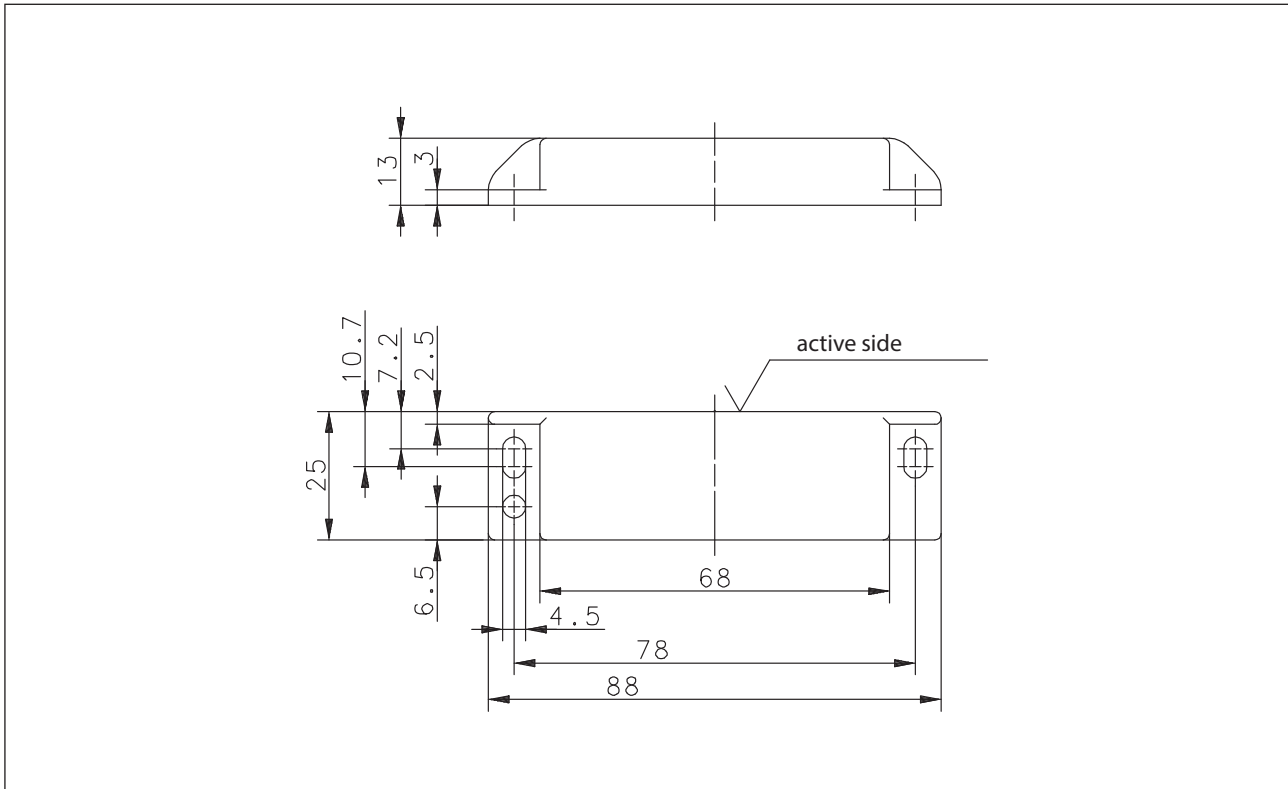


Magnetic Switch

Switching magnet

Description **TK-42-CD**

Article number **6402042301**



Identifying characteristics

Mechanical data	
Enclosure	PA6.6, black (encapsulated magnets)
Magnet	Hartferrit
Ambient air temperature	-20 °C ... +80 °C
Application	Magnetic limit switch type MAx-4236-x
Installation position	operator definable