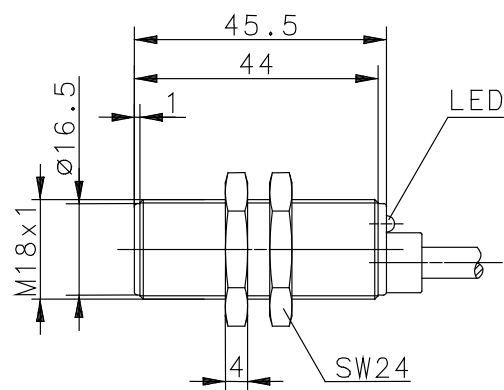
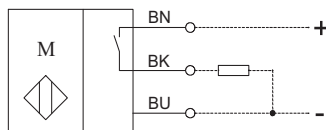


Magnetic Sensor Series M18

Description **MEM-M18PS/M01-KL2**

Article number **6373263102**

Wiring diagram



Identifying characteristics in accordance with EN 60947-5-2

Electrical data		
Assured operating distance	S_a	45 mm
Switching function		PNP, N.O.
Operational voltage range	U_B	10-39 V DC
Switching current		400 mA
Supply current		< 20 mA
Voltage drop	U_d	< 3 V
Switching element		MR (omnipolar), typ. 1 mT
Short-circuit protection		pulsed
Frequency of operating cycles	f	10 kHz
Assembly position		optional
False polarity protection		yes
Corresponding magnet		T62 N/S

Electromagnetic compatibility (EMC)	
Electromagnetic field test	IEC 61000-4-3
Electrostatic discharge test	IEC 61000-4-2
Electrical fast transient immunity test (Burst)	IEC 61000-4-4
Radiated disturbance field strength	EN 55011

Mechanical data	
Enclosure	CuZn39Pb3
Front cap	PA 6.6
Ambient air temperature	-25 °C ... +70 °C (cabel fixed mounted)
Type of protection	IP67 acc. to IEC 529, EN 60529
Indication	LED, yellow; output activated
Termination type	Cable 3 x 0,14 mm ² x 2 m; PVC-Outer jacket, black
For attachment	2 x hexagon nut

Product reliability (in acc. with DIN EN 61709 (SN 29500))	
MTTF (at nominal load, 40 °C)	> 1100 years

EU Conformity	
acc. to directive 2014/30/EU (EMC-Directive)	