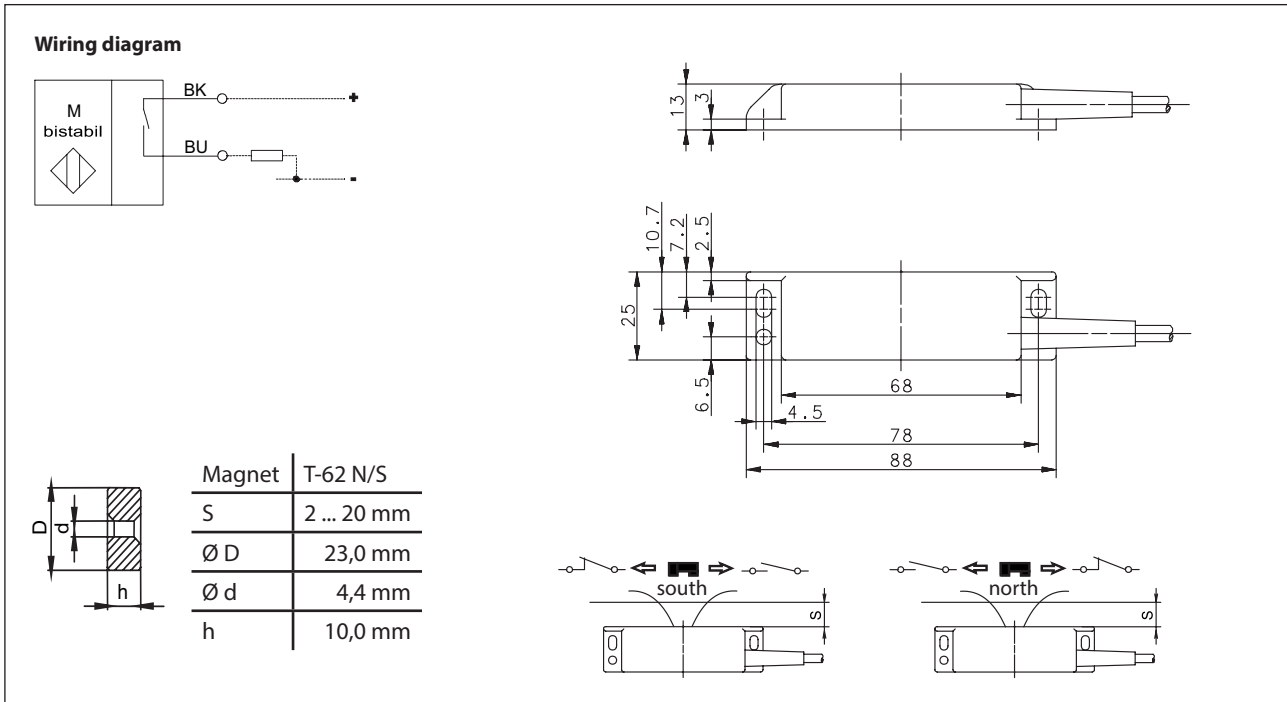


# Magnetic Sensor

## Series E90

Description **MEK-E90PB/M03-1**

Article number **6370442204**



### Identifying characteristics in accordance with EN 60947-5-2

Electrical data		
Switching element function		bistable „On - Off“
Operational voltage range	$U_B$	10-60 V DC
Switching current		200 mA
Voltage drop	$U_d$	$\leq 4,5$ V
Utilization category		DC 13
Rated operational current	$I_e$	200 mA
Minimum operating current	$I_m$	$\leq 2$ mA
No-load supply current	$I_o$	$\leq 1$ mA
Switching element		GMR typ. 3 mT
Frequency of operating cycles	f	20 Hz
False polarity protection		yes
Short-circuit protection		non-existent
Corresponding magnet		T-62 N/S

<b>Electromagnetic compatibility (EMC)</b>	
Electromagnetic field test	IEC 61000-4-3
Electrostatic discharge test	IEC 61000-4-2
Electrical fast transient immunity test (Burst)	IEC 61000-4-4
Radiated disturbance field strength	EN 55011

<b>Mechanical data</b>	
Enclosure	PA 6.6, black
Ambient air temperature	-5 °C ... +70 °C
Type of protection	IP67 acc. to IEC 529, EN 60529
Termination type	Cable 2 x 0,5 mm <sup>2</sup> x 1 m ± 5 %, PVC - Outer jacket, black
Assembly position	optional (assembly on iron means reduction of switch distance)

<b>EU Conformity</b>	
	acc. to directive 2014/30/EU (EMC-Directive)