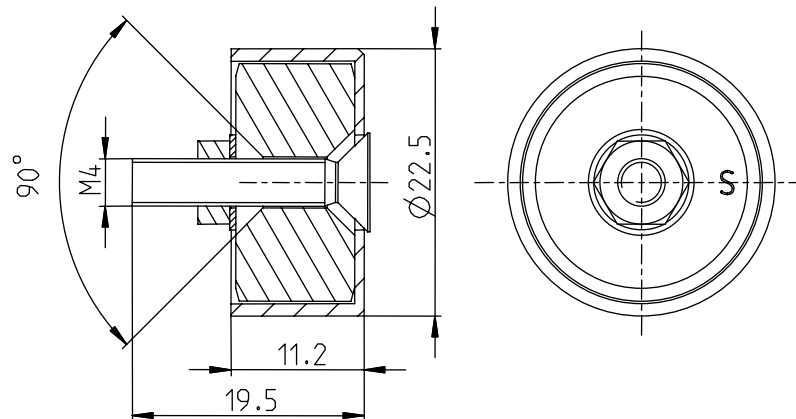


**Switching magnet**

Type designation **TK-67N/S**

Item number **6304167066**



**Characteristic features**

**Mechanical data**

Cap	PA
Screw	brass
Magnet	Hartferrit 24/23; axial magnetisation; marking on the south pole side
Ambient air temperature	-20°C ... +80°C
Application	general use

This document will not become the contractual basis; the details included herein do not constitute any descriptions of expected conditions, so that warranties/claims for defects on account of possible variations of the actual from the here described condition are excluded. Subject to modifications and amendments.

Date of issue: 17.08.2006 / Page 1 of 1  
Document: 6304167066\_en / Last update: 1 / 0547-06