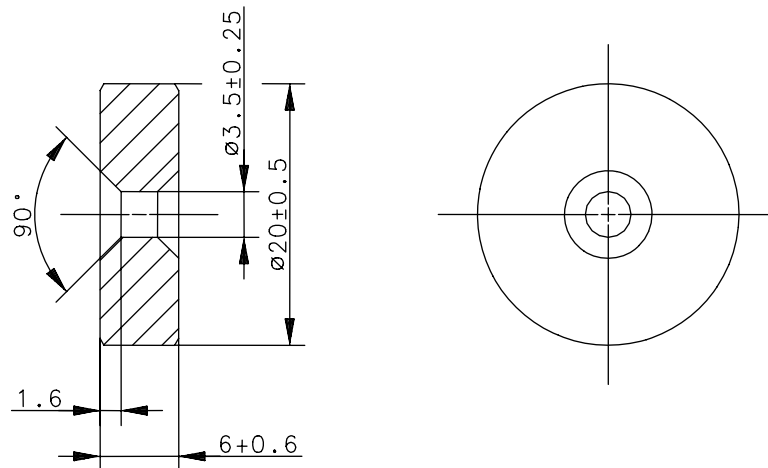


Magnet

Type designation **T-61 N/S**

Item number **6301261035**



Characteristic features

Mechanical data

Magnet	Hartferrit 24/23; axial magnetisation; marking on the south pole side
Ambient air temperature	-40°C ... +150°C
Application	general use
Torque	1 Nm ± 0,25 Nm (with attached mounting material)

This document will not become the contractual basis; the details included herein do not constitute any descriptions of expected conditions, so that warranties/claims for defects on account of possible variations of the actual from the here described condition are excluded. Subject to modifications and amendments.

Date of issue: 11.08.2010 / Page 1 of 1
Document: 6301261035_en.doc / Last update: 2 / 0430-10