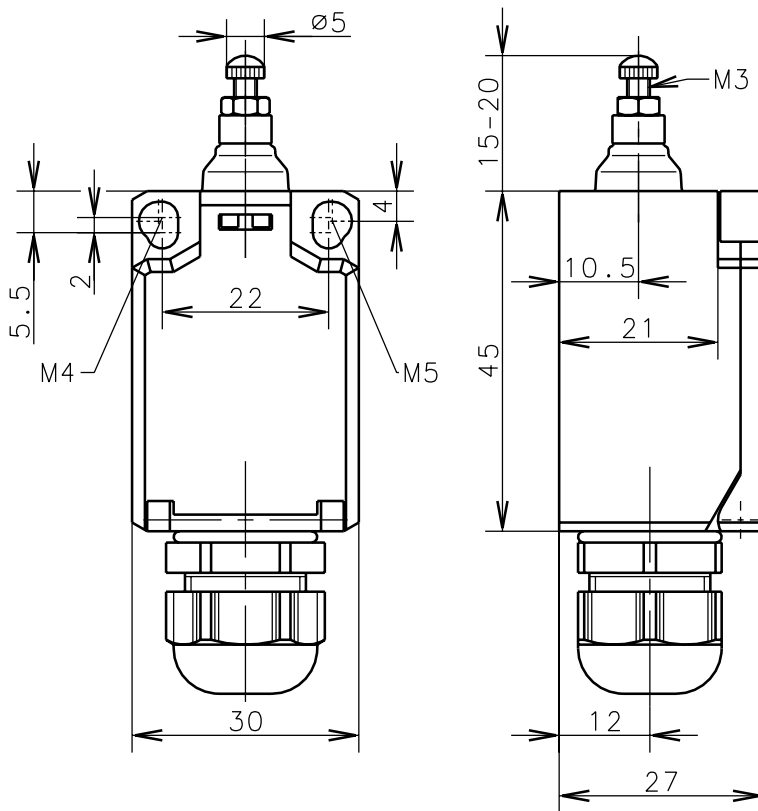
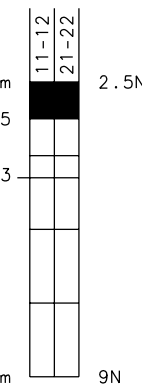
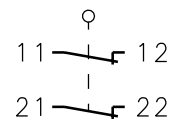


**Bernstein**Bernstein AG  
Postfach 1164  
D-32437 Porta Westfalica**Technical data sheet**

Ti2-A2Z STw

618.8806.024

Positive opening  
operation according  
to DIN EN 60947-5-1  
IEC 947-5-1Switching  
diagramSwitching  
symbolTolerance: operating point  $\pm 0.25\text{mm}$ ; actuating force  $\pm 10\%$ **Mechanical features**

Enclosure: PBT, glass fibre reinforced  
 Cover: PA6.6, black  
 Actuator: Thread plunger adjustable M3 with a lock nut

Ambient air temperature:  $-30^{\circ}\text{C}$  up to  $+80^{\circ}\text{C}$   
 Contact type: 2 NC-contacts (Zb)

Mechanical life:  $3 \times 10^6$  switch operations  
 Switch frequency: max. 100/min  
 Mounting: 2xM4 or 2xM5 fixed positioning for safety applications  
 Connection type: 4 screw connections (M3.5)  
 Conductor cross-section: single core  $0.5-1.5\text{mm}^2$  / litz wire with connector sleeve  $0.5-1.5\text{mm}^2$   
 Cable entry size: 1 x tight cable gland M16x1.5 (tightness-range 2-7mm)  
 Weight: approx. 0,05kg

**Electrical features**

Max. voltage: 250 V AC  
 Max. enduring current: 1 th 10A  
 Max. inrush current: according to IEC 947-5-1  
 Utilization categorie: AC 15,A300 240V/3A, 120V/6A / DC 13,Q300 250V/0.27A, 125V/0.55A  
 Standards: according to EN 60947-1; EN 60947-5-1  
 Protection class (IP-Code): IP65 according to EN 60529; DIN VDE 0470 T1  
 CSA/UL: 10A 300V AC, A300  
 Short-circuit protection: Fuse 6A gL/gG, IEC/EN 60947-5-1, appendix K

**Approach possibilities**

By loosening 4 screws it is possible to turn the actuator through  $90^{\circ}$  so that 4 approach possibilities can be achieved.

**Remarks**

The moving parts should be oiled periodically.  
 The planned protection class (IP-Code) is valid only at closed cover.