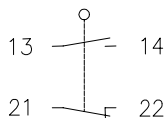


Series TI2

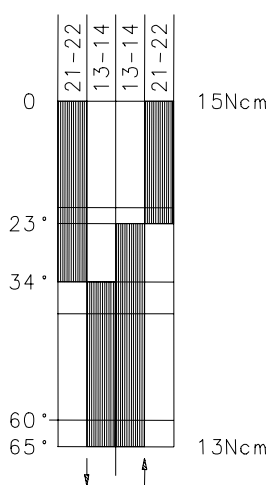
Description **TI2-SU1 AD VS**

Article number **6188187022**

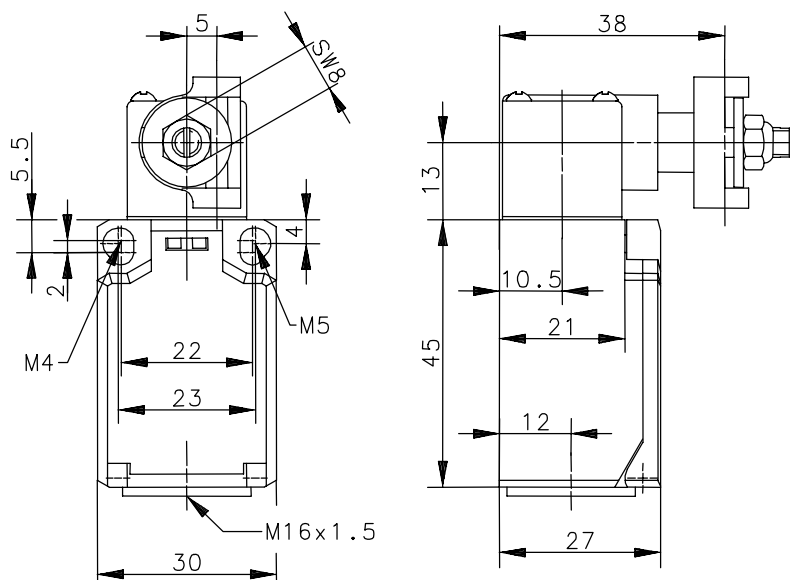
Operating symbol



Operating diagram



On
 Off
Tolerance:
 Operating point ± 3,5°;
 Operating torque ± 10%



Electrical data

Rated insulation voltage	U_i	250V AC
Conv. thermal current	I_{the}	10A
Rated operational voltage	U_e	240V
Utilization category		A300, AC-15, U_e/I_e 240V/3A
Short-circuit protective device		Fuse 6A gL/gG IEC/EN 60947-5-1, Annex K
Protection class		II, totally insulated

This document will not become the contractual basis; the details included herein do not constitute any descriptions of expected conditions, so that warranties/claims for defects on account of possible variations of the actual qualities from the qualities described herein are explicitly excluded. All rights reserved. Specifications subject to change without notice!

Date of issue: 12.03.2004 / Page 1 of 2
Document : 6188187022_en / Last update : 1 / 2093-04

Mechanical data

Enclosure	PBT
Cover	PA6.6
Actuator	Lever arm housing, AD-rod (st; see below)
Ambient air temperature	-30°C ... +80°C
Contact type	1 NC, 1 NO (Zb)
Switching frequency	≤ 100/min
Assembly	2 x M4 or 2 x M5 fixed position for safety applications
Connection	4 screw connections (M3,5)
Conductor cross-sections	Solid: 0.5 ... 1.5mm ² Litz wire with ferrules: 0.5 ... 1.5mm ²
Cable entrance	1 x M16x1,5
Weight	≈ 0,07kg (included AD-rod)
Installation position	Operator definable
Protection type	IP65 acc. to EN 60529; DIN VDE 0470 T1

Actuation

The actuating device is preferably started from 2 sides.

By loosening the 4 screws the actuation assembly can be rotated in 90 degree increments such that 8 actuation directions are possible. The actuation assembly is to be again fastened to the housing using the 4 screws.

Standards

VDE 0660 T100, DIN EN 60947-1, IEC 60947-1
VDE 0660 T200, DIN EN 60947-5-1, IEC 60947-5-1

EU Conformity



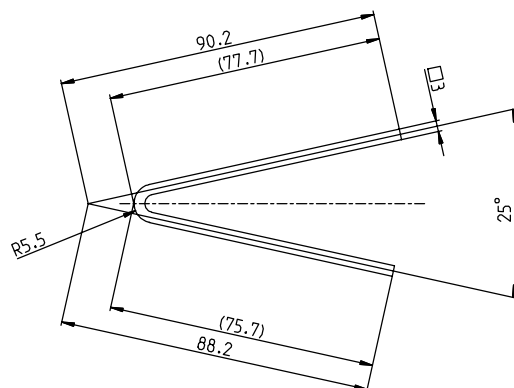
Approvals

CSA
UL

Notes

The degree of protection (IP code) specified above applies solely when the cover is closed properly and when an equivalent cable gland is used with an adequate cable.

Place aside: AD-rod



This document will not become the contractual basis; the details included herein do not constitute any descriptions of expected conditions, so that warranties/claims for defects on account of possible variations of the actual qualities from the qualities described herein are explicitly excluded. All rights reserved. Specifications subject to change without notice!

Date of issue: 12.03.2004 / Page 2 of 2
Document : 6188187022_en / Last update : 1 / 2093-04