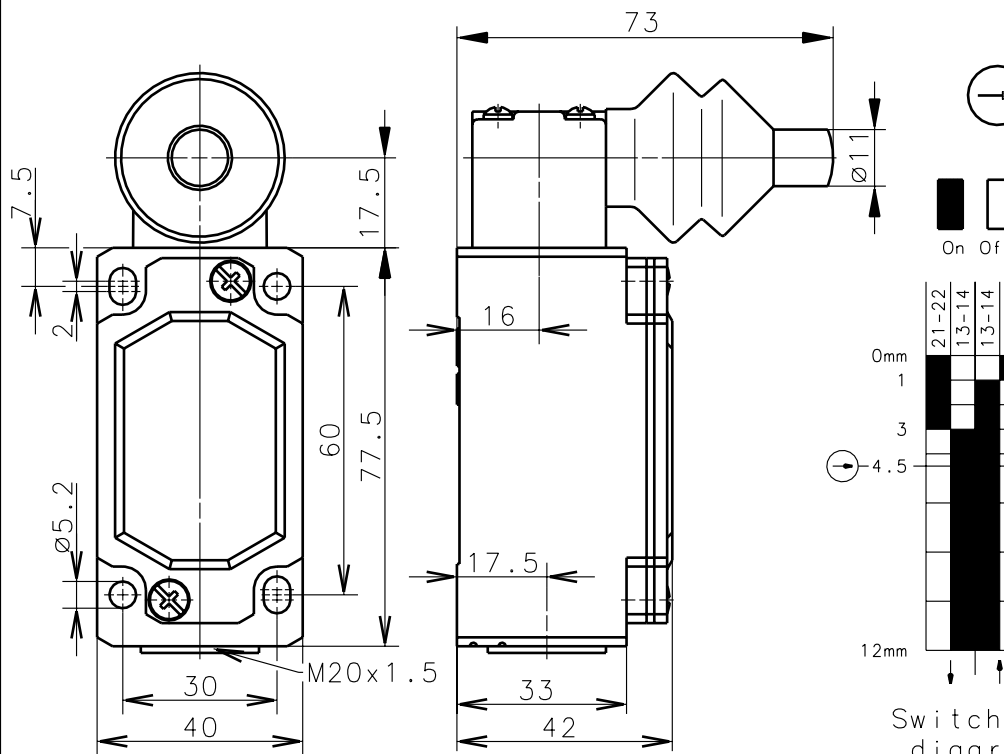
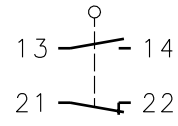
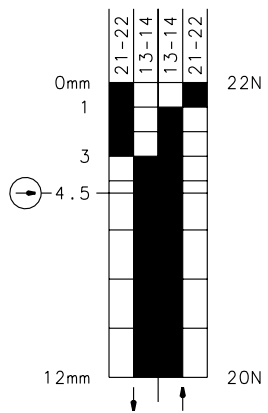


**Bernstein**Bernstein AG  
Postfach 1164  
D-32437 Porta Westfalica**Technical data sheet****ENM2-SU1Z WK****618.7393.079**

Positive opening operation according to DIN EN 60947-5-1 IEC 60947-5-1



IMGF-B411



Switching diagram

Switching symbol

Tolerance: operating point  $\pm 3.5^\circ$   
operating torque  $\pm 10\%$ Schutzvermerk nach DIN 34 beachten  
Copyright reserved

08.10.03

**Mechanical features**

- Enclosure: Al-die cast
- Cover: Al-plate
- Actuator: Side plunger (st)
- Ambient air temperature:  $-30^\circ\text{C}$  up to  $+80^\circ\text{C}$
- Contact type: 1 NC-contact, 1 NO-contact (Zb)
- Mechanical life:  $1 \times 10^6$  switch operations
- Switch frequency: max. 100/min
- Mounting: 4 x M5
- Connection type: 4 screw connections (M3,5)
- Conductor cross-section: single core 0.5-1.5mm<sup>2</sup> / litz wire with connector sleeve 0.5-1.5mm<sup>2</sup>
- Cable entry size: 1 x M20x1.5
- Weight: approx. 0,30kg

**Electrical features**

- Rated insulation voltage:  $U_i = 400 \text{ V AC}$
- Conventional thermal current:  $I_{the} = 10 \text{ A}$
- Max. inrush current: according to IEC 60947-5-1; AC 15, A300
- Utilization categorie: AC 15, A300,  $U_e/I_e$  240V/3A
- Standards: according to EN 60947-1; EN 60947-5-1
- Protection class (IP-Code): IP65 according to EN 60529, DIN VDE 0470 T1
- CSA: 10A 300V AC, A300 (same polarity)
- Short-circuit protection: Fuse 2A gL/gG, IEC/EN 60947-5-1, appendix K

**Approach possibilities**

By loosening the 4 screws the Actuation Assembly can be rotated in 90 degree increments such that 4 Actuation directions are possible. The Actuation Assembly is to be again fastened to the housing using the 4 screws.

**Remarks**The moving parts should be oiled periodically.  
The rated protection class (IP-Code) is valid only at closed cover and when using an at least equivalent cable gland.