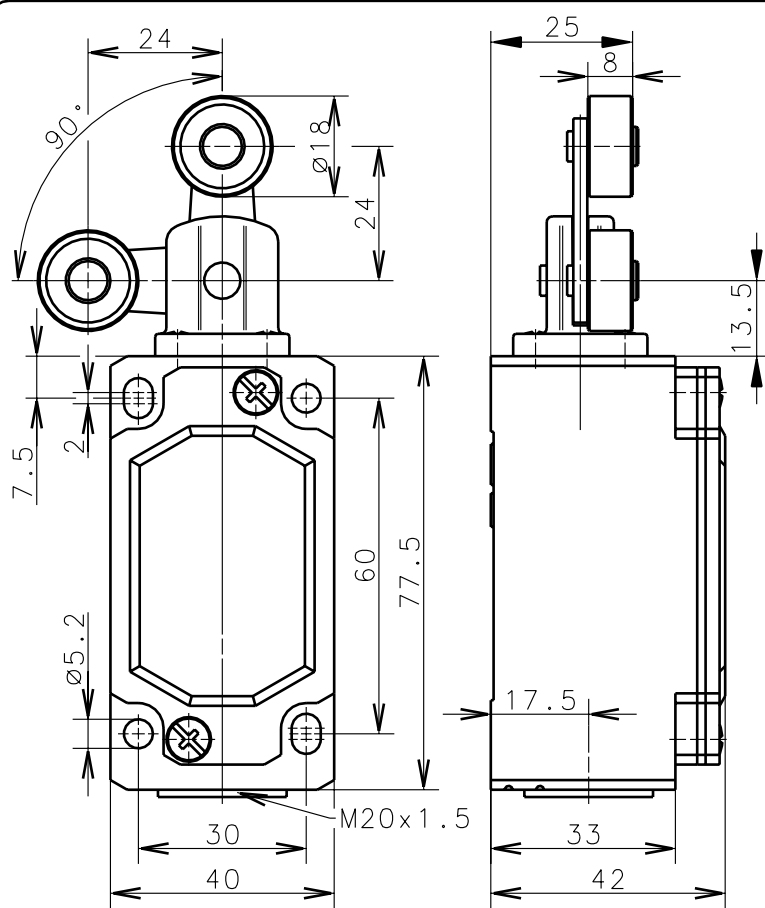
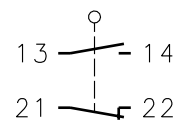
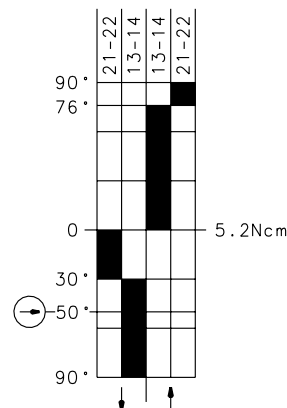


**Bernstein**Bernstein AG
Postfach 1164
D-32437 Porta Westfalica**Technical data sheet****ENM2-SU1Z DR****618.7391.089**Positive opening
operation according
to DIN EN 60947-5-1
IEC 60947-5-1

IMGV-B411

Switching
diagramSwitching
symbolTolerance: operating point $\pm 3.5^\circ$
operating torque $\pm 10\%$ Schutzvermerk nach DIN 34 beachten
Copyright reserved**Mechanical features**

Enclosure: Al-die cast
Cover: Al-plate
Actuator: Double arm lever (st), rollers (thermoplast)

Ambient air temperature: -30°C up to $+80^\circ\text{C}$
Contact type: 1 NC-contact, 1 NO-contact (Zb)

Mechanical life: 1×10^6 switch operations

Switch frequency: max. 20/min

Mounting: 4 x M5

Connection type: 4 screw connections (M3,5)

Conductor cross-section: single core 0.5-1.5mm² / litz wire with connector sleeve 0.5-1.5mm²

Cable entry size: 1 x M20x1.5

Weight: approx. 0,23kg

Electrical features

Rated insulation voltage: $U_i = 400 \text{ V AC}$

Conventional thermal current: $I_{the} = 10 \text{ A}$

Max. inrush current: according to IEC 60947-5-1; AC 15, A300

Utilization categorie: AC 15, A300, U_e/I_e 240V/3A

Standards: according to EN 60947-1; EN 60947-5-1

Protection class (IP-Code): IP65 according to EN 60529, DIN VDE 0470 T1

CSA: 10A 300V AC, A300 (same polarity)

Short-circuit protection: Fuse 2A gL/gG, IEC/EN 60947-5-1, appendix K

Approach possibilities

By loosening the 4 screws the Actuation Assembly can be rotated in 90 degree increments such that 4 Actuation directions are possible. The Actuation Assembly is to be again fastened to the housing using the 4 screws.

Remarks

The moving parts should be oiled periodically.

The rated protection class (IP-Code) is valid only at closed cover and when using an at least equivalent cable gland.