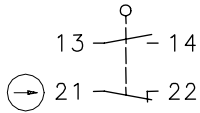


Series ENM 2

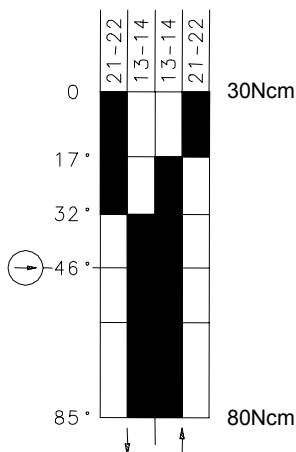
Description **ENM2-SU1Z AHS VS**



Article number **6187385094**

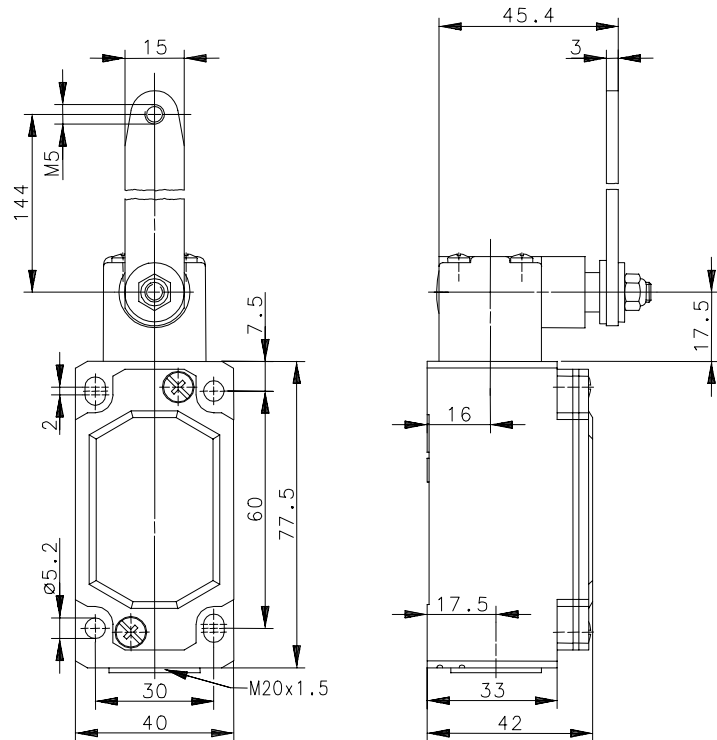
Operating symbol




Operating diagram



 ON
 OFF
 Tolerances
 Operating point: $\pm 3,5^\circ$;
 Operating torque: $\pm 10\%$



Electrical data

Rated insulation voltage	U_i	400 VAC
Conv. thermal current	I_{the}	10A
Rated operational voltage	U_e	240V
Utilization category		AC-15, U_e/I_e 240V/3A
Direct opening action ¹⁾		acc. to IEC/EN 60947-5-1, Annex K
Short-circuit protective device		Fuse 2A gL/gG
Safety class		I

This document will not become the contractual basis; the details included herein do not constitute any descriptions of expected conditions, so that warranties/claims for defects on account of possible variations of the actual qualities from the qualities described herein are explicitly excluded. All rights reserved. Specifications subject to change without notice!

Date of issue: 26.01.2006 / Page 1 of 2
 Document: 6187385094_en / Last update: 1 / 2061-06

Mechanical data

Housing	Die-cast aluminium
Cover	Sheet aluminium
Operation	Lever arm housing (Zn-die cast); Lever (st)
Ambient air temperature	-30°C ... +80°C
Contact type	1 NC, 1 NO (Zb)
Mechanical life	10 x 10 ⁶ switching cycles
Switching frequency	≤ 100 / min.
Assembly	4 x M5
Connection	4 screw terminals (M3.5)
Conductor cross-sections	Solid: 0.5 ... 1.5mm ²
Conductor cross-sections	Litz wire with ferrules: 0.5 ... 1.5mm ²
Cable entrance	1 x M20x1.5
Weight	≈ 0,32 kg
Mounting position	Operator definable
Protection	IP65 acc. to IEC/EN 60529

Actuation

The actuator can be approached from 2 sides.

By loosening the 4 screws the actuator can be repositioned in 90° steps thereby allowing a total of 8 approach directions.

After re-positioning firmly refasten the actuator to the housing (4 screws).

Regulations

VDE 0660 T100, DIN EN 60947-1

VDE 0660 T200, DIN EN 60947-5-1

IEC 60947-1, IEC 60947-5-1

EC Conformity

CE

Approvals

cCSA_{US} A300 (same polarity)

Comments

The degree of protection specified (IP code) applies only to a properly closed cover and the use of an equivalent cable gland with adequate cable.

¹⁾ Only when all adjustable mechanical parts are fixed.