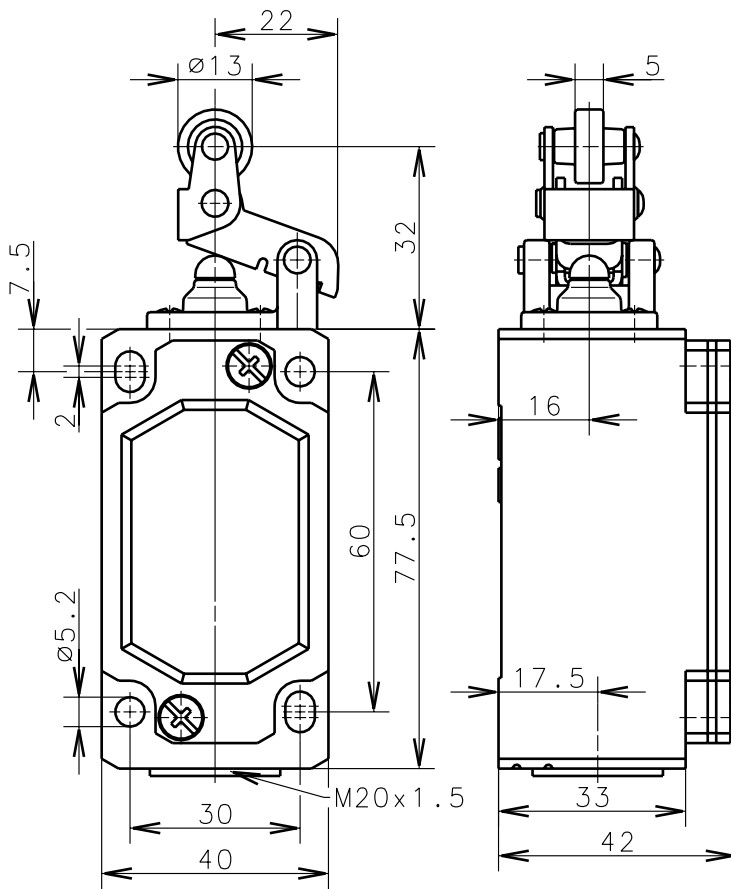
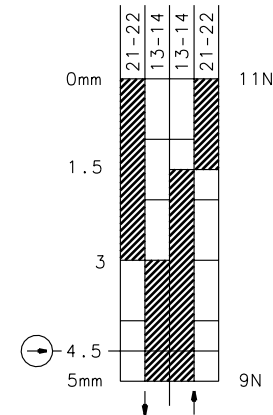


**Bernstein**Bernstein AG
Postfach 1164
D-32437 Porta Westfalica**Technical data sheet****ENM2-SU1Z KGw****618.7380.083**

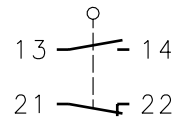
Positive opening operation according to DIN EN 60947-5-1 IEC 60947-5-1



IMGE-B411



Switching diagram



Switching symbol

Tolerance: operating point $\pm 3.5^\circ$
operating torque $\pm 10\%$ Schutzvermerk nach DIN 34 beachten
Copyright reserved**Mechanical features**Enclosure: Al-die cast
Cover: Al-plate
Actuator: Lever (st), roller (thermoplast)Ambient air temperature: -30°C up to $+80^\circ\text{C}$
Contact type: 1 NC-contact, 1 NO-contact (Zb)Mechanical life: 10×10^6 switch operations
Switch frequency: max. 100/min
Mounting: 4 x M5
Connection type: 4 screw connections (M3,5)
Conductor cross-section: single core 0.5-1.5mm² / litz wire with connector sleeve 0.5-1.5mm²
Cable entry size: 1 x M20x1.5
Weight: approx. 0,20kg**Electrical features**Rated insulation voltage: $U_i = 400 \text{ V AC}$
Conventional thermal current: $I_{the} = 10 \text{ A}$
Max. inrush current: according to IEC 60947-5-1; AC 15, A300
Utilization categorie: AC 15, A300, U_e/I_e 240V/3A
Standards: according to EN 60947-1; EN 60947-5-1
Protection class (IP-Code): IP65 according to EN 60529, DIN VDE 0470 T1
CSA: 10A 300V AC, A300 (same polarity)
Short-circuit protection: Fuse 2A gL/gG, IEC/EN 60947-5-1, appendix K**Approach possibilities**

By loosening the 4 screws the Actuation Assembly can be rotated in 90 degree increments such that 4 Actuation directions are possible. The Actuation Assembly is to be again fastened to the housing using the 4 screws.

RemarksThe moving parts should be oiled periodically.
The rated protection class (IP-Code) is valid only at closed cover and when using an at least equivalent cable gland.

14.10.03