



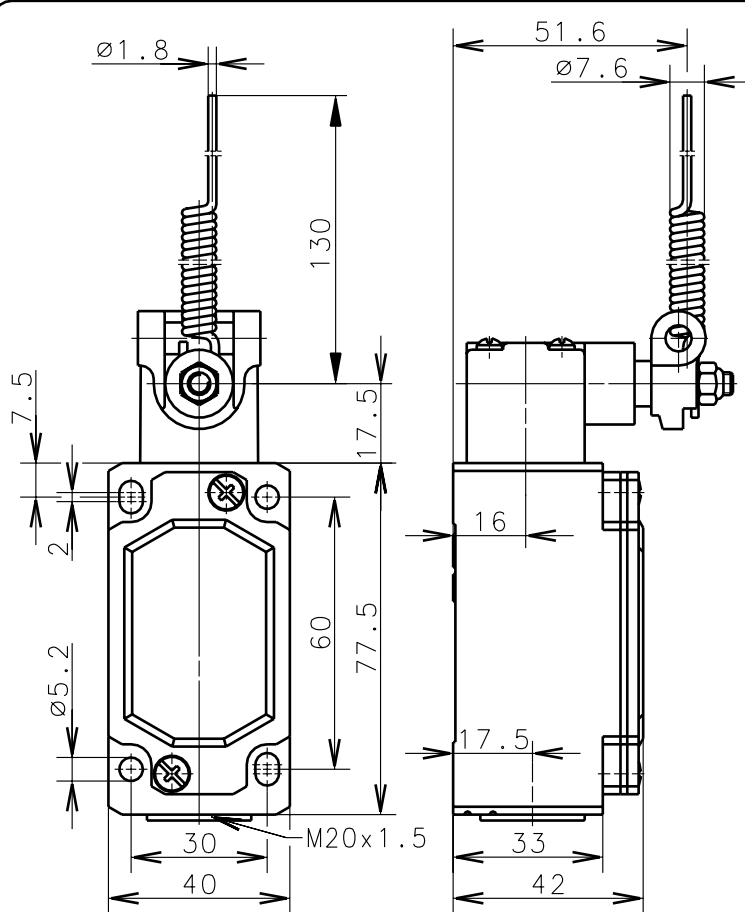
**Bernstein**

Bernstein AG  
Postfach 1164  
D-32437 Porta Westfalica

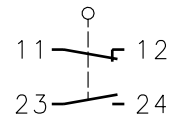
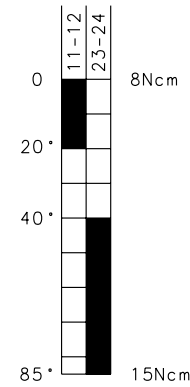
# Technical data sheet

ENM2-U1 AF

618.7139.076



IMGQ-B111



Switching diagram

Switching symbol

Tolerance: operating point  $\pm 3.5^\circ$   
operating torque  $\pm 10\%$

Schutzvermerk nach DIN 34 beachten  
Copyright reserved

## Mechanical features

Enclosure:	Al-die cast
Cover:	Al-plate
Actuator:	Turret head (Zn-die cast), wobble stick (st)

Ambient air temperature:	-30°C up to +80°C
Contact type:	1 NC-contact, 1 NO-contact

Mechanical life:	10x10 <sup>6</sup> switch operations
Switch frequency:	max. 100/min
Mounting:	4 x M5
Connection type:	4 screw connections (M3,5)
Conductor cross-section:	single core 0.5-1.5mm <sup>2</sup> / litz wire with connector sleeve 0.5-1.5mm <sup>2</sup>
Cable entry size:	1 x M20x1.5
Weight:	approx. 0,29kg

## Electrical features

Rated insulation voltage:	U <sub>i</sub> = 400 V AC
Conventional thermal current:	I <sub>the</sub> = 10 A
Max. inrush current:	according to IEC 60947-5-1; AC 15, A300
Utilization categorie:	AC 15, A300, U <sub>e</sub> /I <sub>e</sub> 240V/3A
Standards:	according to EN 60947-1; EN 60947-5-1
Protection class (IP-Code):	IP65 according to EN 60529, DIN VDE 0470 T1
CSA:	10A 300V AC, A300 (same polarity)
Short-circuit protection:	Fuse 10A gL/gG, IEC/EN 60947-5-1

## Approach possibilities

By loosening the 4 screws the Actuation Assembly can be rotated in 90 degree increments such that 4 Actuation directions are possible. The Actuation Assembly is to be again fastened to the housing using the 4 screws.

## Remarks

The moving parts should be oiled periodically.  
The rated protection class (IP-Code) is valid only at closed cover and when using an at least equivalent cable gland.

02.10.03