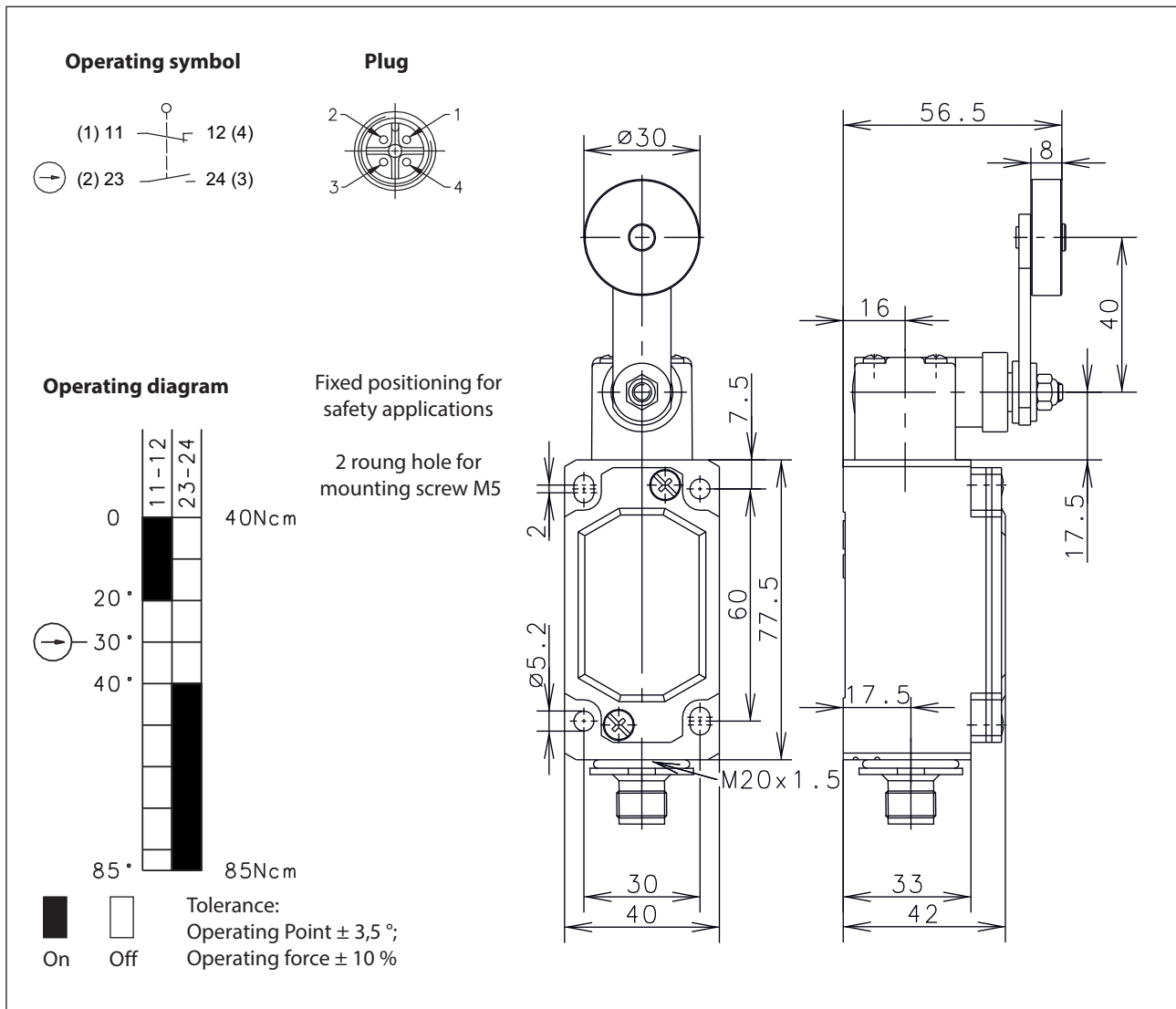


# Metal bodied limit switch

## Series ENM2

Description **ENM2-U1Z AHSG V8 VS M1**

Article number **6187135108**



### Electrical Data

Rated insulation voltage	$U_i$	250 V AC
Conv. thermal current	$I_{the}$	2,5 A
Rated operational voltage	$U_e$	24 V
Utilization category		DC-13, $U_e/I_e$ 24 V / 4 A
Direct opening action	$\ominus$	acc. to IEC/EN 60947-5-1, annex K
Short-circuit protective device		Fuse 2 A gG
Protection class		III (extra- low voltage)

<b>Mechanical data</b>	
Enclosure	Die-cast aluminium
Cover	Sheet aluminium
Actuator	Lever arm housing (Zn-die cast), lever (st), roller (thermoplastic)
Ambient air temperature	-30 °C ... +80 °C
Contact type	1 N.C., 1 N.O. (Zb)
Mechanical life	10 x 10 <sup>6</sup> operating cycles
Switching frequency	≤ 100 / min.
Assembly	4 x M5
Connection	Plug M12 x 1, A-Code
Weight	≈ 0,3 kg
Installation position	operator definable
Protection type	IP65 acc. to EN 60529

<b>Actuation</b>
<p>The actuating device is preferably started from 2 sides.                      By loosening the 4 screws the actuation assembly can be rotated in 90 degree increments such that 8 actuation directions are possible. The actuation assembly is to be again fastened to the housing using the 4 screws.</p>

<b>Standards</b>
VDE 0660 T100, DIN EN 60947-1, IEC 60947-1
VDE 0660 T200, DIN EN 60947-5-1, IEC 60947-5-1

<b>EU Conformity</b>
acc. to directive 2006/95/EC

<b>Notes</b>
<p>The degree of protection specified (IP code) applies only to a properly closed cover and the use of an equivalent cable gland with adequate cable.                      For use with the described ambient temperature, the plug and cable (fixed or flexible installation) must be suitable for at least the same temperature range.                      The plug must not be connected and disconnected under voltage.                      The mechanical life of the cable box are 500 cycle of operation.                      To comply with the approvals need to use proper plugs and cables.</p>