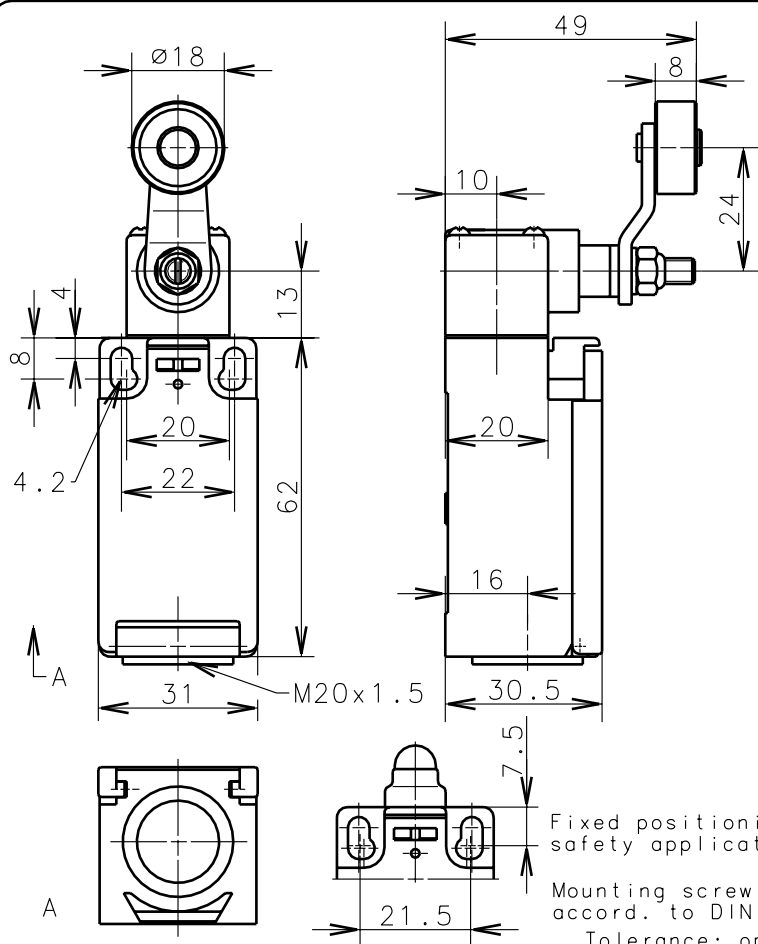
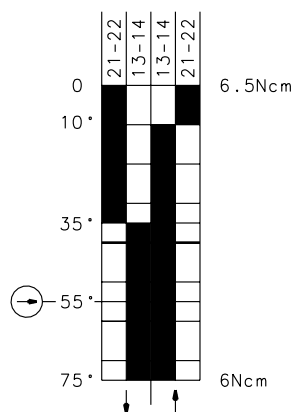
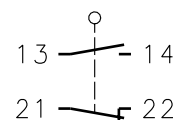


**Bernstein**Bernstein AG
Postfach 1164
D-32437 Porta Westfalica**Technical data sheet****188-SU1Z AH****618.6185.609**Positive opening
operation according
to DIN EN 60947-5-1
IEC 60947-5-1

IUGL-B411

Switching
symbolFixed positioning for
safety applicationsMounting screw
accord. to DIN 912 M5Tolerance: operating point $\pm 3.5^\circ$; operating torque $\pm 10\%$ **Mechanical features**

Enclosure: Thermoplast, glass fibre reinforced (UL 94-V0)
 Cover: Thermoplast, glass fibre reinforced (UL 94-V0)
 Actuator: Turret head; roller (thermoplast)

Ambient air temperature: -30°C up to $+80^\circ\text{C}$
 Contact type: 1 NC-contact, 1 NO-contact (Zb)

Mechanical life: 10×10^6 switch operations
 Switch frequency: max. 100/min
 Mounting: 2 x M4

Connection type: 4 screw connections (M3.5)
 Conductor cross-section: single core 0.5-1.5mm²/litz wire with connector sleeve 0.5-1.5mm²
 Cable entry size: 1 x M20x1.5
 Weight: approx. 0,1kg

Electrical features

Rated insulation voltage: $U_i = 250 \text{ V AC}$
 Conventional thermal current: $I_{the} = 10 \text{ A}$
 Max. inrush current: according to IEC 60947-5-1, AC 15, A300
 Utilization categorie: AC 15, A300, U_e/I_e 240V/3A
 Standards: according to EN 60947-1; EN 60947-5-1
 Protection class (IP-Code): IP65 according to EN 60529, DIN VDE 0470 T1
 CSA: 10A 300V AC, A300 (same polarity)
 Short-circuit protection: Fuse 2A gL/gG, IEC/EN 60947-5-1, appendix K

Approach possibilities

By loosening the 4 screws the Actuation Assembly can be rotated in 90 degree increments such that 4 Actuation directions are possible. The Actuation Assembly is to be again fastened to the housing using the 4 screws.

Remarks

The moving parts should be oiled periodically.
 The rated protection class (IP-Code) is valid only at closed cover and when using an at least equivalent cable gland.