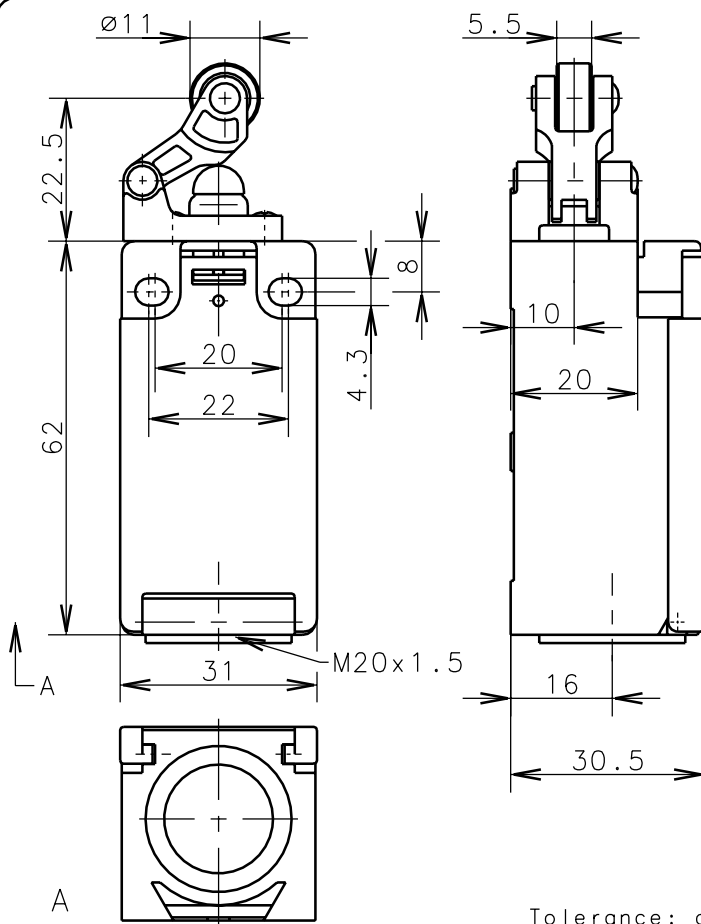
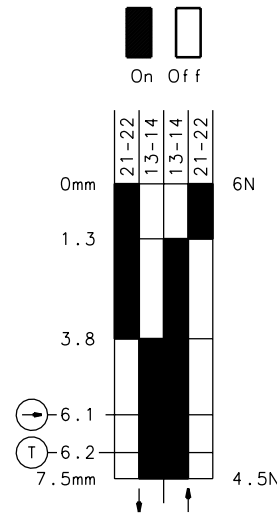
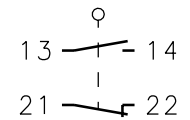


**Bernstein**Bernstein AG
Postfach 1164
D-32437 Porto Westfalica**Technical data sheet**

188-SU1Z Hw 180°

618.6171.445

Positive opening
operation according
to DIN EN 60947-5-1
IEC 947-5-1Gap between
NC-contacts
per EN 81Switching
diagramSwitching
symbol

ID-Nr.: 189 846

Tolerance: operating point $\pm 0.25\text{mm}$; actuating force $\pm 10\%$ **Mechanical features**

Enclosure: Thermoplast, glass fibre reinforced (UL 94-V0) black
 Cover: Thermoplast, glass fibre reinforced (UL 94-V0)
 Actuator: Lever with roller (thermoplast)

Ambient air temperature: -30°C up to $+80^\circ\text{C}$
 Contact type: 1 NC-contact, 1 NO-contact (Zb)

Mechanical life: 10×10^6 switch operations
 Switch frequency: max. 100/min
 Mounting: 2 x M4
 Connection type: 4 screw connections (M3.5)
 Cable entry size: 1 x M20x1.5
 Weight: approx. 0,07 kg

Electrical features

Max. voltage: 500 V AC
 Max. enduring current: 1 th 10A
 Max. inrush current: according to IEC 947-5-1; AC 15; DC 13
 Standards: according to EN 60204; EN 60947-1; EN 60947-5-1
 Protection class (IP-Code): IP65 according to EN 60529, DIN VDE 0470 T1
 CSA: 10A 300V AC, A300 (same polarity)
 Short-circuit protection: Fuse 2A gL/gG, IEC/EN 60947-5-1, appendix K

Approach possibilities

By loosening 4 screws it is possible to turn the actuator through 90° so that 4 approach possibilities can be achieved.

Remarks

The moving parts should be oiled periodically.
 The planned protection class (IP-Code) is valid only at closed cover and when using an at least equivalent cable gland.

Copies are not retreated in case of alternations.